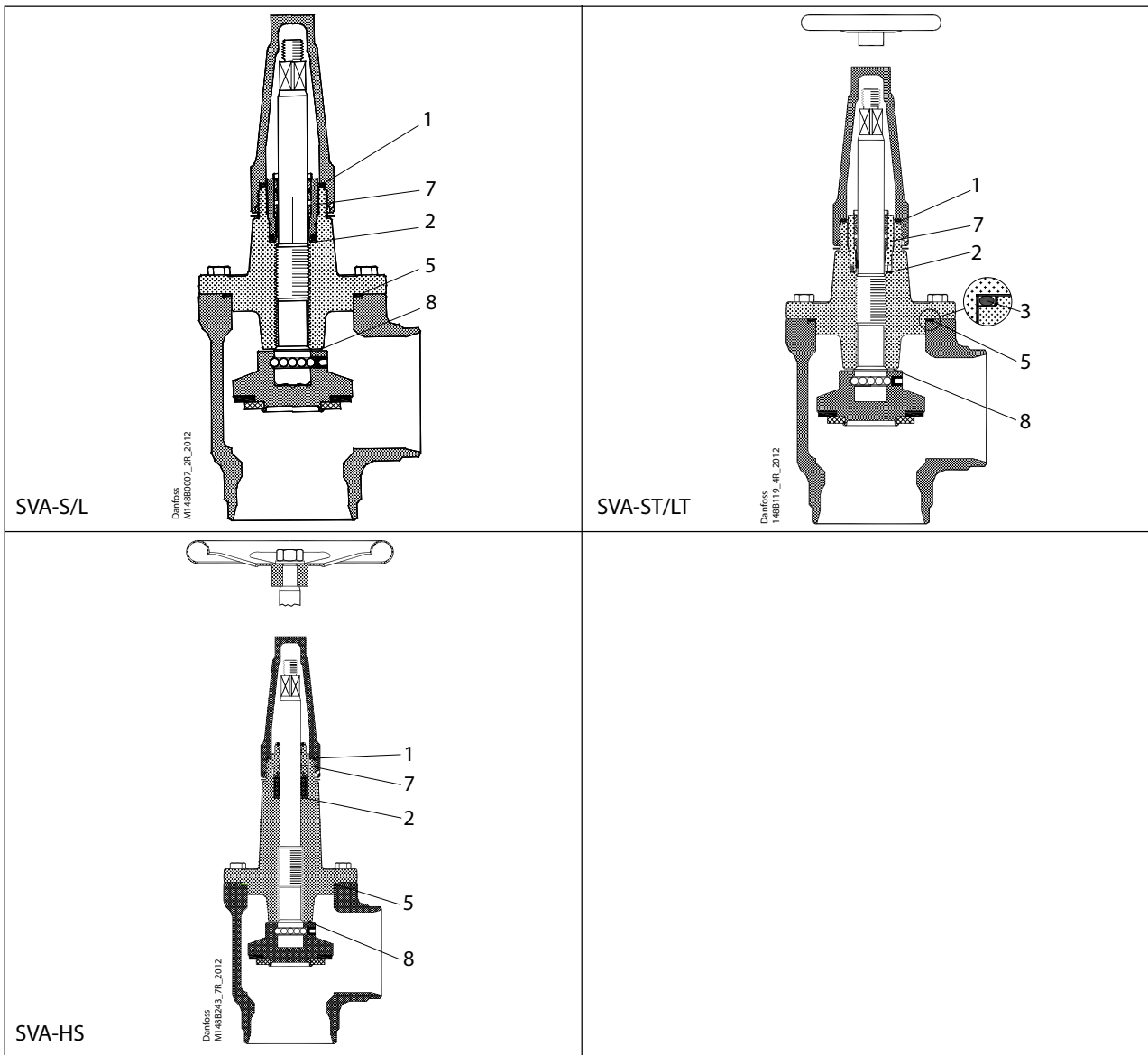


SVA-S/L, SVA-ST/LT, SVA-HS size 150

Repair kit | Code number 148B6068



<p>1</p> <p> = Nylon</p> <p>$\varnothing 57 \text{ mm}$ $\varnothing 2.25''$</p> <p>Total no. = 1</p>	<p>2</p> <p> = Alu.</p> <p>$\varnothing 39.5 \text{ mm}$ $\varnothing 1.56''$</p> <p>Total no. = 1</p>	<p>3</p> <p></p> <p>$\varnothing 148 \text{ mm}$ $\varnothing 5.85''$</p> <p>Total no. = 1</p>	<p>5</p> <p> = Fibre</p> <p>$\varnothing 170 \text{ mm}$ $\varnothing 6.7''$</p> <p>Total no. = 1</p>	<p>7</p> <p></p> <p>$\varnothing 40 \text{ mm}$ $\varnothing 1.57''$</p> <p>Total no. = 1</p>
<p>8</p> <p> = PTFE</p> <p>$\varnothing 40 \text{ mm}$ $\varnothing 1.57''$</p> <p>Total no. = 1</p>				

NOTE:

When replacing the packing gland (pos. 7) in SVA-ST, SVA-S/L or SVA-HS the aluminium gasket (pos. 2) is needed.