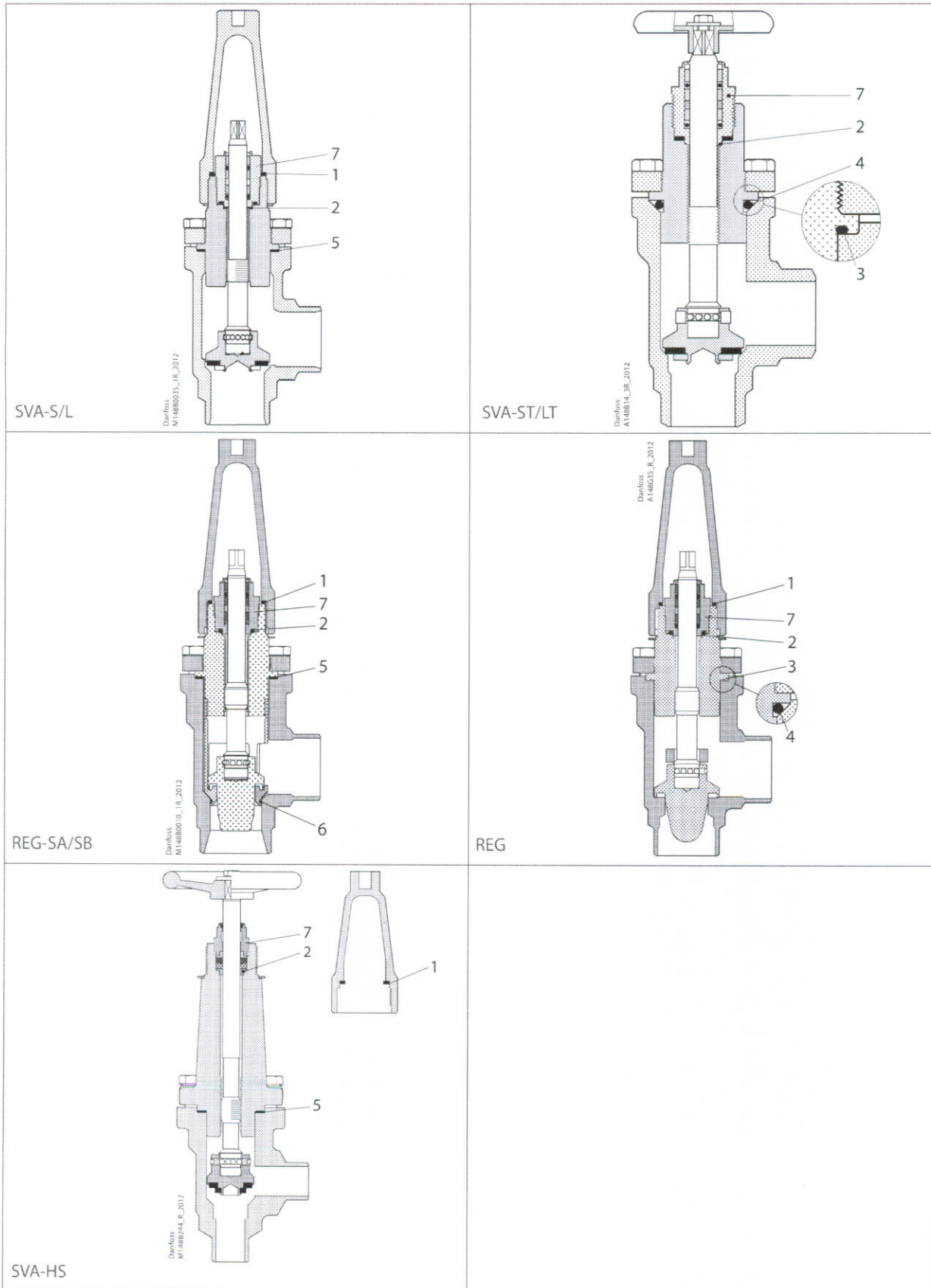


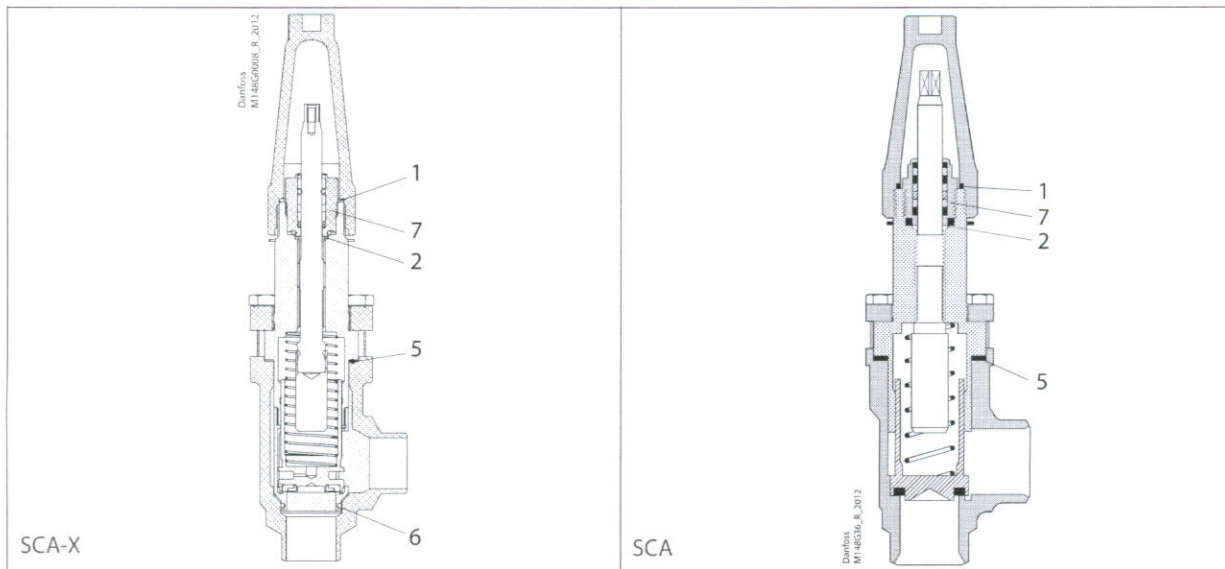
**SVA-S/L, SVA-ST/LT, REG-SA/SB, REG, SVA-HS, SCA/X sizes 25-40**

Repair kit | Code number 148B6062



**SVA-S/L, SVA-ST/LT, REG-SA/SB, REG, SVA-HS, SCA/X sizes 25-40**

Repair kit | Code number 148B6062



<p><b>1</b></p> <p> = Nylon</p> <p>Ø37 mm Ø1.46"</p> <p>Total no. = 1</p>	<p><b>2</b></p> <p> = Alu.</p> <p>Ø19 mm Ø0.73"</p> <p>Total no. = 1</p>	<p><b>3</b></p> <p>Ø31 mm Ø1.22"</p> <p>Total no. = 1</p>	<p><b>4</b></p> <p>Ø37 mm Ø1.46"</p> <p>Total no. = 1</p>	<p><b>5</b></p> <p> = Fibre</p> <p>Ø54 mm Ø2.13"</p> <p>Total no. = 1</p>
<p><b>6</b></p> <p>Ø30 mm Ø1.17"</p> <p>Total no. = 1</p>	<p><b>7</b></p> <p>Ø28 mm Ø1.1"</p> <p>Total no. = 1</p>			

**NOTE:**

When replacing the packing gland (pos. 7) in SVA-ST, SVA-S/L, SVA-HS, REG, REG-SA/SB, SCA or SCA-X the aluminium gasket (pos. 2) is needed.