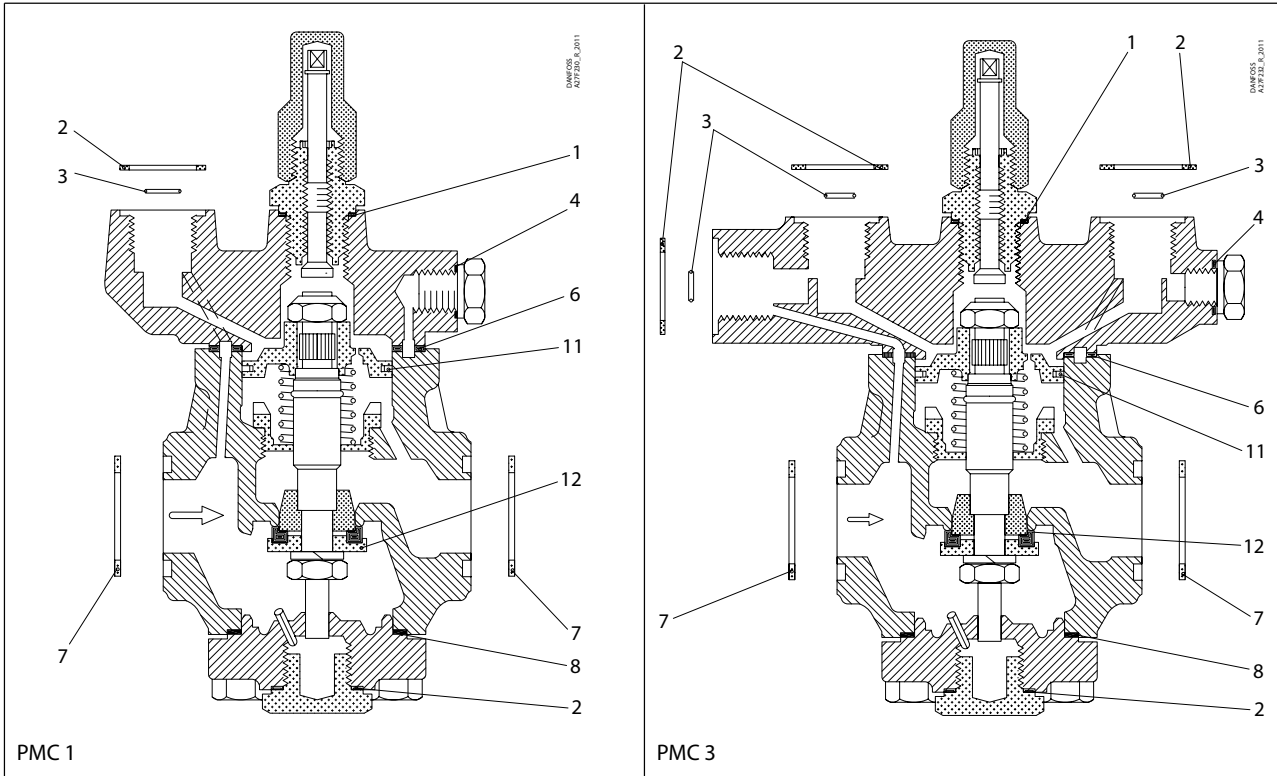


# PMC, size 20-5, 20-8, 20-12 and 20-20

Repair kit | Code number 027F0555



<p><b>1</b>  = Alu.</p> <p>Total no. = 1</p>	<p><b>2</b>  = Fibre</p> <p>Total no. = 4</p>	<p><b>3</b> </p> <p>Total no. = 3</p>	<p><b>4</b>  = Alu.</p> <p>Total no. = 1</p>	<p><b>5*</b>  = Alu.</p> <p>Total no. = 1</p>	<p><b>6</b>  = Fibre</p> <p>Total no. = 1</p>
<p><b>7</b>  = Fibre</p> <p>Total no. = 2</p>	<p><b>8</b>  = Fibre</p> <p>Total no. = 1</p>	<p><b>9*</b>  = Alu.</p> <p>Total no. = 1</p>	<p><b>10*</b>  = Alu.</p> <p>Total no. = 1</p>	<p><b>11</b> </p> <p>Total no. = 1</p>	<p><b>12</b> </p> <p>Total no. = 1</p>

\* The spare part is included in the package but is not used for PMC 1 and 3.