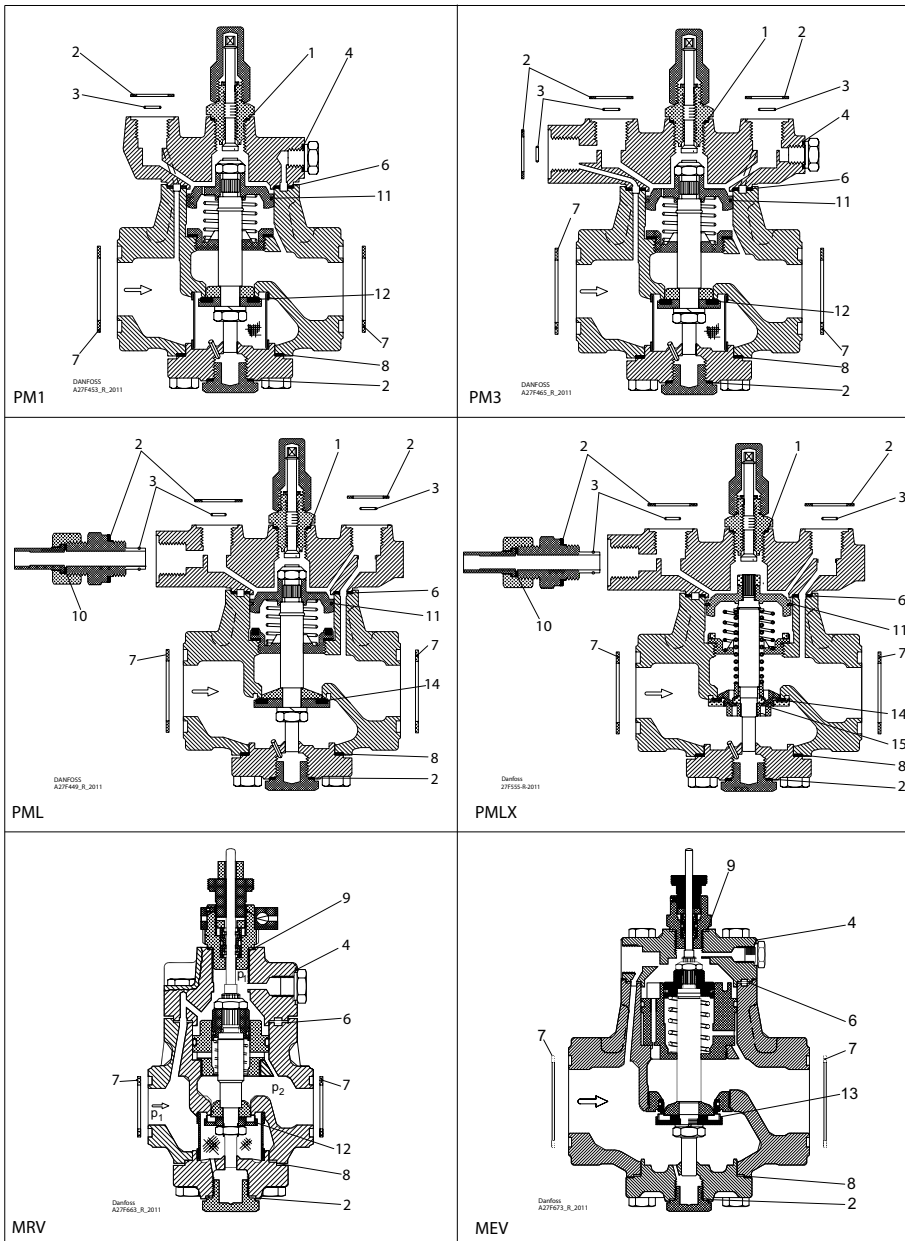


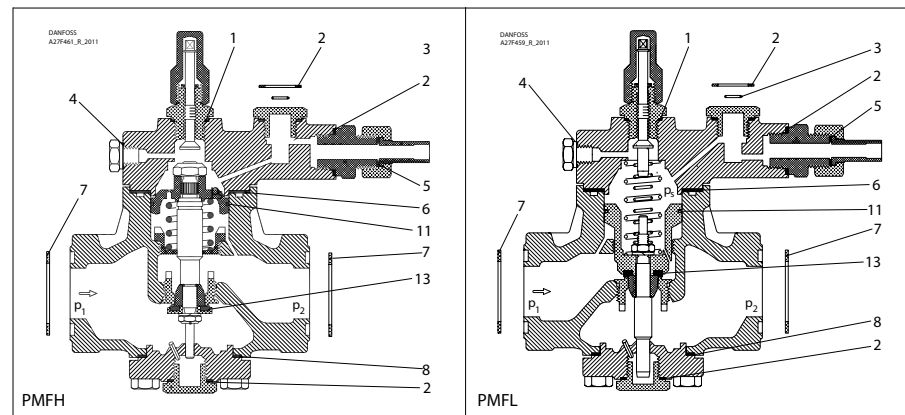
PM, PML/X, MRV, size 32 | MEV, PMFH/L, size 125

Repair kit | Code number 027F3152



PM, PML/X, MRV, size 32 | MEV, PMFH/L, size 125

Repair kit | Code number 027F3152



<p>1 = Alu.</p> <p>$\varnothing 26 \text{ mm}$ $\varnothing 1.02''$</p> <p>Total no. = 1</p>	<p>2 = Fibre</p> <p>$\varnothing 33 \text{ mm}$ $\varnothing 1.28''$</p> <p>Total no. = 4</p>	<p>3 </p> <p>$\varnothing 9 \text{ mm}$ $\varnothing 0.36''$</p> <p>Total no. = 3</p>	<p>4 = Alu.</p> <p>$\varnothing 18 \text{ mm}$ $\varnothing 0.70''$</p> <p>Total no. = 1</p>	<p>5 = Alu.</p> <p>$\varnothing 14 \text{ mm}$ $\varnothing 0.55''$</p> <p>Total no. = 1</p>	<p>6 = Fibre</p> <p>$\varnothing 8.5 \text{ mm}$ $\varnothing 0.35''$</p> <p>Total no. = 1</p>
<p>7 = Fibre</p> <p>$\varnothing 58 \text{ mm}$ $\varnothing 2.28''$</p> <p>Total no. = 2</p>	<p>8 = Fibre</p> <p>$\varnothing 70 \text{ mm}$ $\varnothing 2.76''$</p> <p>Total no. = 1</p>	<p>9 = Alu.</p> <p>$\varnothing 32 \text{ mm}$ $\varnothing 1.26''$</p> <p>Total no. = 1</p>	<p>10 = Alu.</p> <p>$\varnothing 22 \text{ mm}$ $\varnothing 0.87''$</p> <p>Total no. = 1</p>	<p>11 </p> <p>$\varnothing 60 \text{ mm}$ $\varnothing 2.36''$</p> <p>Total no. = 1</p>	<p>12 </p> <p>$\varnothing 32 \text{ mm}$ $\varnothing 1.26''$</p> <p>$\varnothing 39 \text{ mm}$ $\varnothing 1.53''$</p> <p>Total no. = 1</p>
<p>13 </p> <p>$\varnothing 21 \text{ mm}$ $\varnothing 0.83''$</p> <p>$\varnothing 28 \text{ mm}$ $\varnothing 1.1''$</p> <p>Total no. = 1</p>	<p>14 </p> <p>$\varnothing 42 \text{ mm}$ $\varnothing 1.67''$</p> <p>$\varnothing 50 \text{ mm}$ $\varnothing 1.96''$</p> <p>Total no. = 1</p>	<p>15 </p> <p>$\varnothing 28 \text{ mm}$ $\varnothing 1.1''$</p> <p>Total no. = 1</p>			