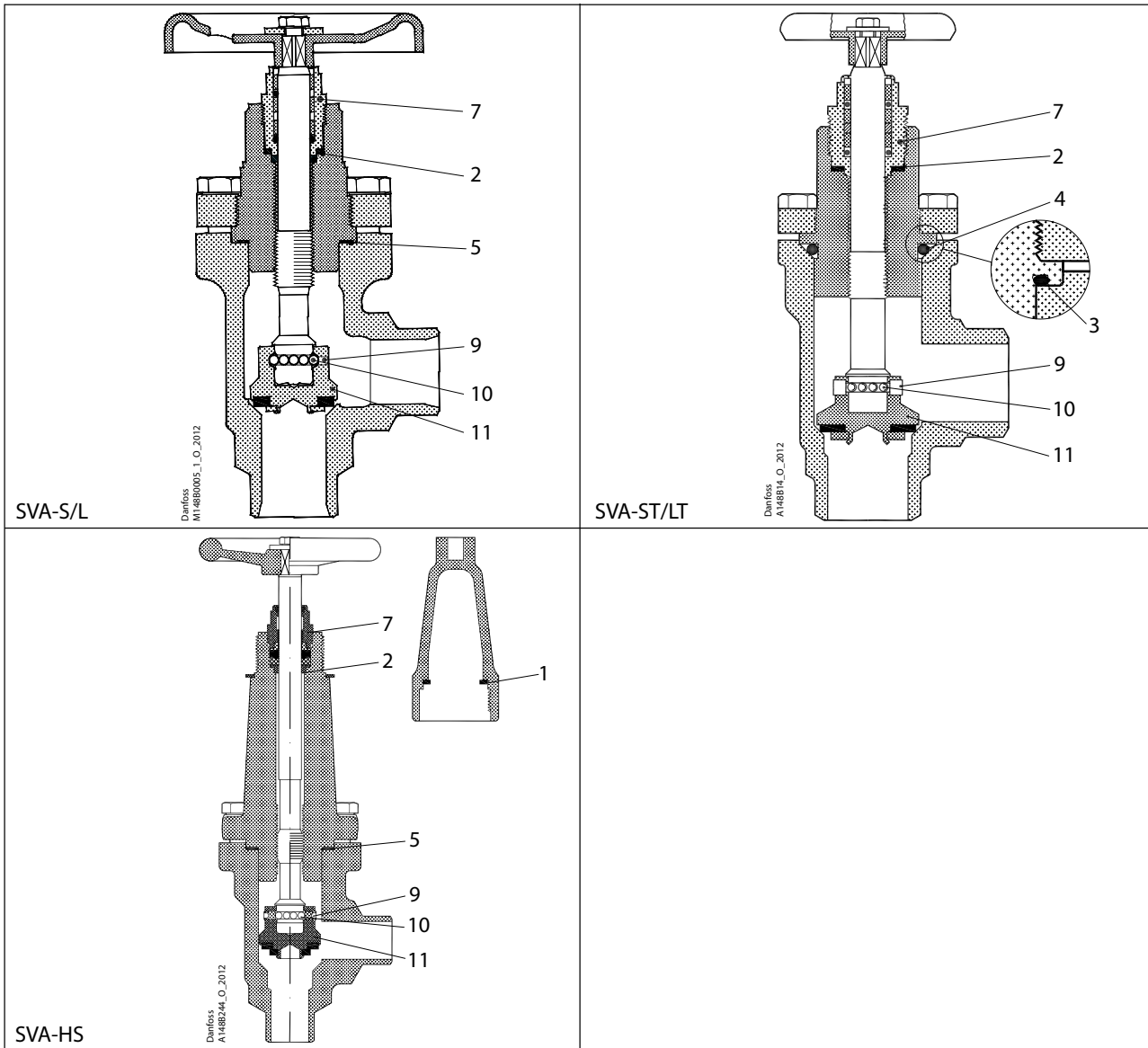


**SVA-S/L, SVA-ST/LT, SVA-HS sizes 15-20**

Overhaul kit | Code number 148B6151



|  |   |  |                                       |   |
|--|---|--|---------------------------------------|---|
| <p><b>1</b></p> <p> = Nylon</p> <p>Total no. = 1</p> | <p><b>2</b></p> <p> = Alu.</p> <p>Total no. = 1</p> | <p><b>3</b></p> <p>Total no. = 1</p>   | <p><b>4</b></p> <p>Total no. = 1</p>  | <p><b>5</b></p> <p> = Alu.</p> <p>Total no. = 1</p> |
| <p><b>7</b></p> <p>Total no. = 1</p>                 | <p><b>9</b></p> <p>Total no. = 1</p>                | <p><b>10</b></p> <p>Total no. = 10</p> | <p><b>11</b></p> <p>Total no. = 1</p> | <p><b>12</b></p> <p>Total no. = 1</p>               |

**NOTE:**

When replacing the packing gland (pos. 7) in SVA-S/L, SVA-ST/LT or SVA-HS the aluminium gasket (pos. 2) is needed.