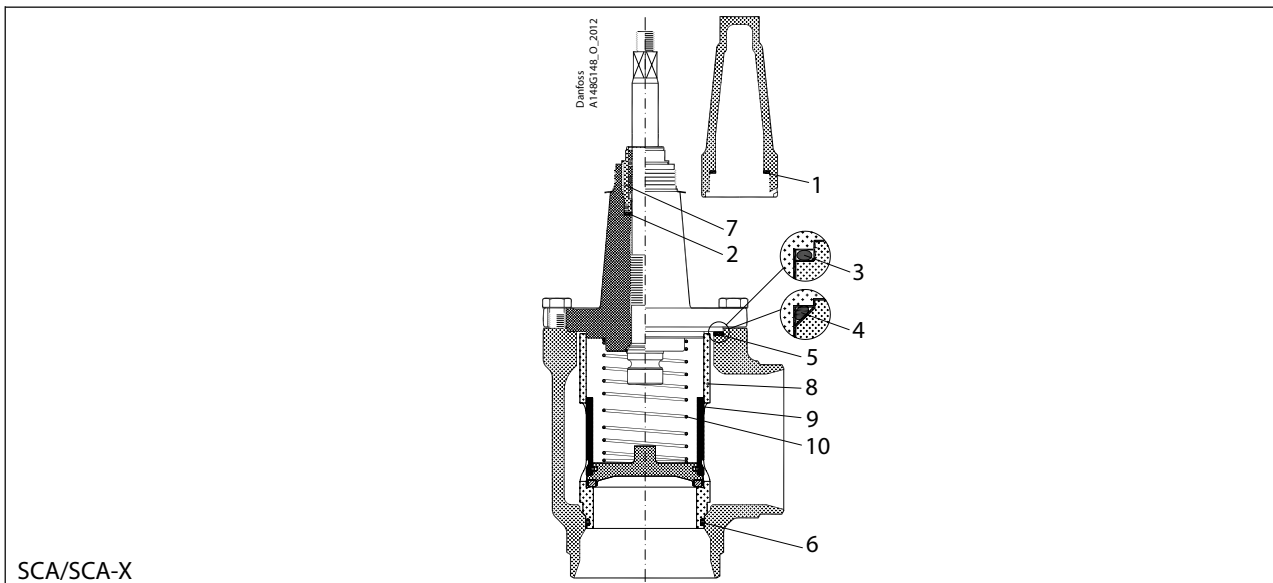
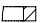
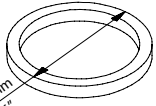
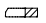
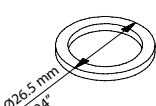

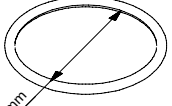
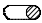
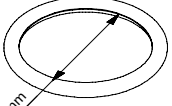
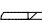
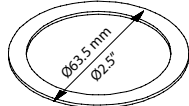
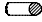
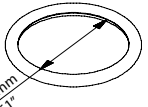
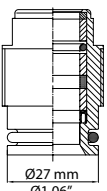
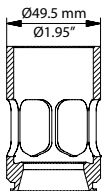
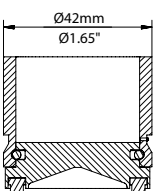
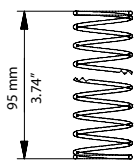


SCA / SCA-X sizes 50

Overhaul kit | Code number 148B6162



1  = Nylon  Total no. = 1	2  = Alu.  Total no. = 1	3   Total no. = 1	4   Total no. = 1	5  = Fibre  Total no. = 1
6   Total no. = 1	7  Total no. = 1	8  Total no. = 1	9  Total no. = 1	10  Total no. = 1

NOTE:

When replacing the packing gland (pos. 7) in SCA-X or SCA the aluminium gasket (pos. 2) is needed.