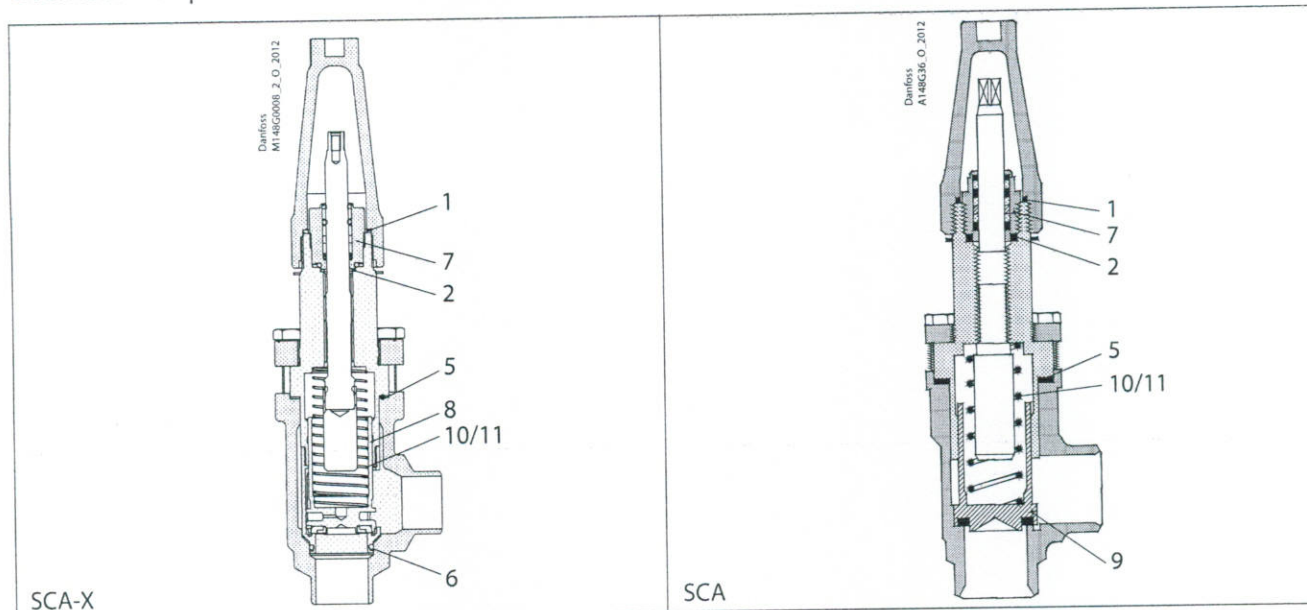


SCA / SCA-X sizes 15 - 20

Overhaul kit | Code number 148B6160



<p>1 = Nylon</p> <p>Total no. = 1</p>	<p>2 = Alu.</p> <p>Total no. = 1</p>	<p>5 = Fibre</p> <p>Total no. = 1</p>	<p>6 </p> <p>Total no. = 1</p>	<p>7 </p> <p>Total no. = 1</p>
<p>8</p> <p>Total no. = 1</p>	<p>9</p> <p>Total no. = 1</p>	<p>10</p> <p>Total no. = 1</p>	<p>11</p> <p>Total no. = 1</p>	

NOTE:

When replacing the packing gland (pos. 7) in SCA-X or SCA the aluminium gasket (pos. 2) is needed.