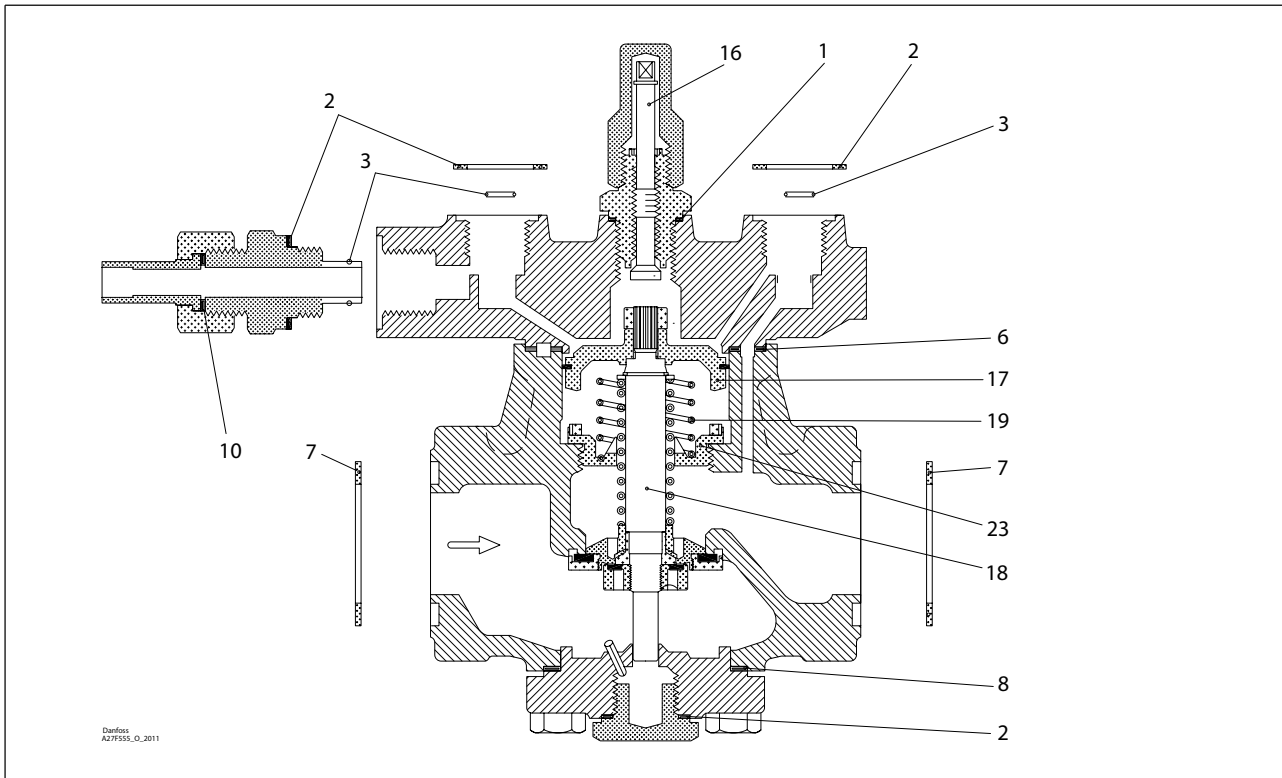


PMLX, size 65

Overhaul kit | Code number 027F0570



<p>1</p> <p> = Alu.</p> <p>Ø26 mm Ø1.02"</p> <p>Total no. = 1</p>	<p>2</p> <p> = Fibre</p> <p>Ø33 mm Ø1.28"</p> <p>Total no. = 4</p>	<p>3</p> <p> = Alu.</p> <p>Ø9 mm Ø0.36"</p> <p>Total no. = 3</p>	<p>4*</p> <p> = Alu.</p> <p>Ø18 mm Ø0.70"</p> <p>Total no. = 1</p>	<p>5*</p> <p> = Alu.</p> <p>Ø14 mm Ø0.55"</p> <p>Total no. = 1</p>	<p>6</p> <p> = Fibre</p> <p>Ø127 mm Ø5"</p> <p>Total no. = 1</p>
<p>7</p> <p> = Fibre</p> <p>Ø87 mm Ø3.43"</p> <p>Total no. = 2</p>	<p>8*</p> <p> = Fibre</p> <p>Ø112 mm Ø4.41"</p> <p>Total no. = 1</p>	<p>9*</p> <p> = Alu.</p> <p>Ø32 mm Ø1.26"</p> <p>Total no. = 1</p>	<p>10</p> <p> = Alu.</p> <p>Ø22 mm Ø0.87"</p> <p>Total no. = 1</p>	<p>16</p>	<p>17</p> <p>Ø105 mm Ø4.13"</p>
<p>18</p> <p>Ø76 mm Ø2.99"</p>	<p>19</p> <p>Ø65 mm Ø2.56"</p> <p>Total no. = 1</p>	<p>23</p> <p>Ø96 mm Ø3.78"</p>			

* The spare part is included in the package but is not used for PMLX size 65.