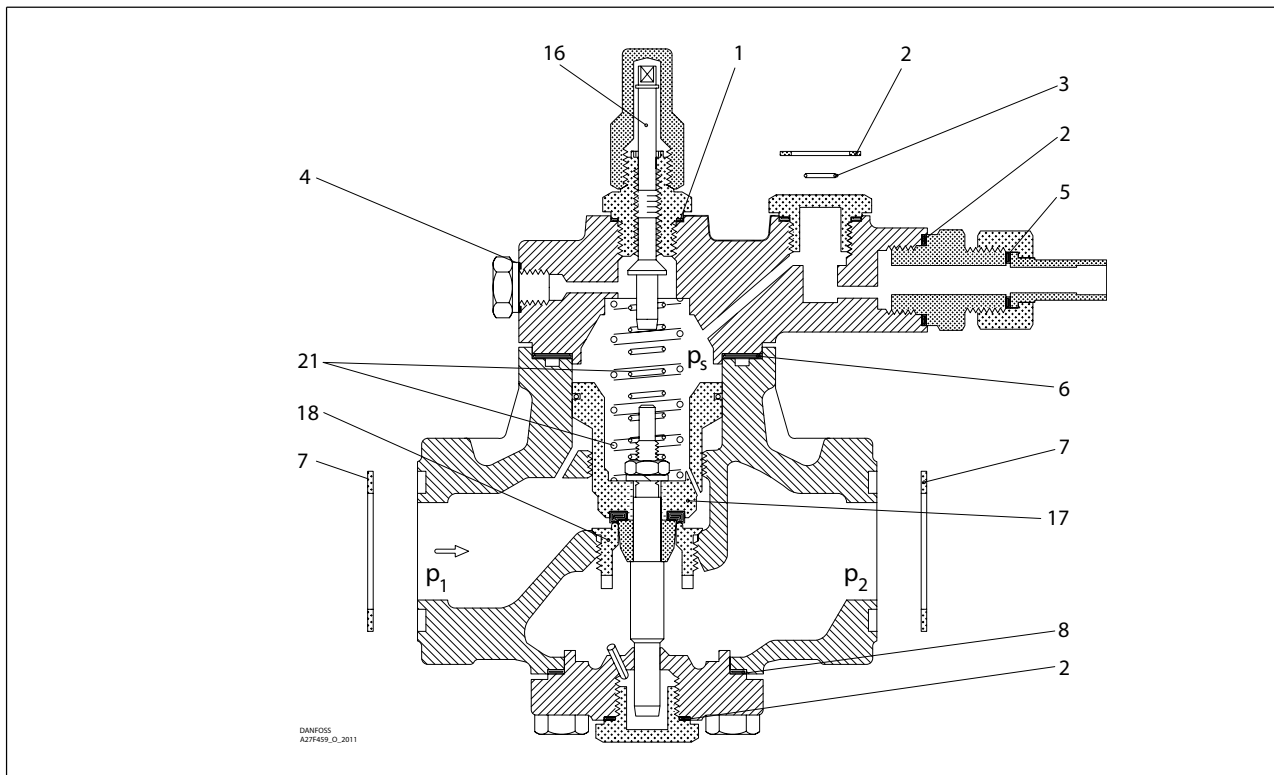


PMFL, size 200

Overhaul kit | Code number 027F0638



<p>1</p> <p>▨ = Alu.</p> <p>Total no. = 1</p>	<p>2</p> <p>▨ = Fibre</p> <p>Total no. = 4</p>	<p>3</p> <p>Total no. = 3</p>	<p>4</p> <p>▨ = Alu.</p> <p>Total no. = 1</p>	<p>5</p> <p>▨ = Alu.</p> <p>Total no. = 1</p>	<p>6</p> <p>▨ = Fibre</p> <p>Total no. = 1</p>
<p>7</p> <p>▨ = Fibre</p> <p>Total no. = 2</p>	<p>8</p> <p>▨ = Fibre</p> <p>Total no. = 1</p>	<p>9*</p> <p>▨ = Alu.</p> <p>Total no. = 1</p>	<p>10*</p> <p>▨ = Alu.</p> <p>Total no. = 1</p>	<p>16</p>	<p>17</p>
<p>18</p>	<p>21 Standard</p> <p>1 set</p>	<p>21 Weak</p> <p>1 set</p>	<p>21 Strong</p> <p>1 set</p>		

* The spare part is included in the package but is not used for PMFL size 200.