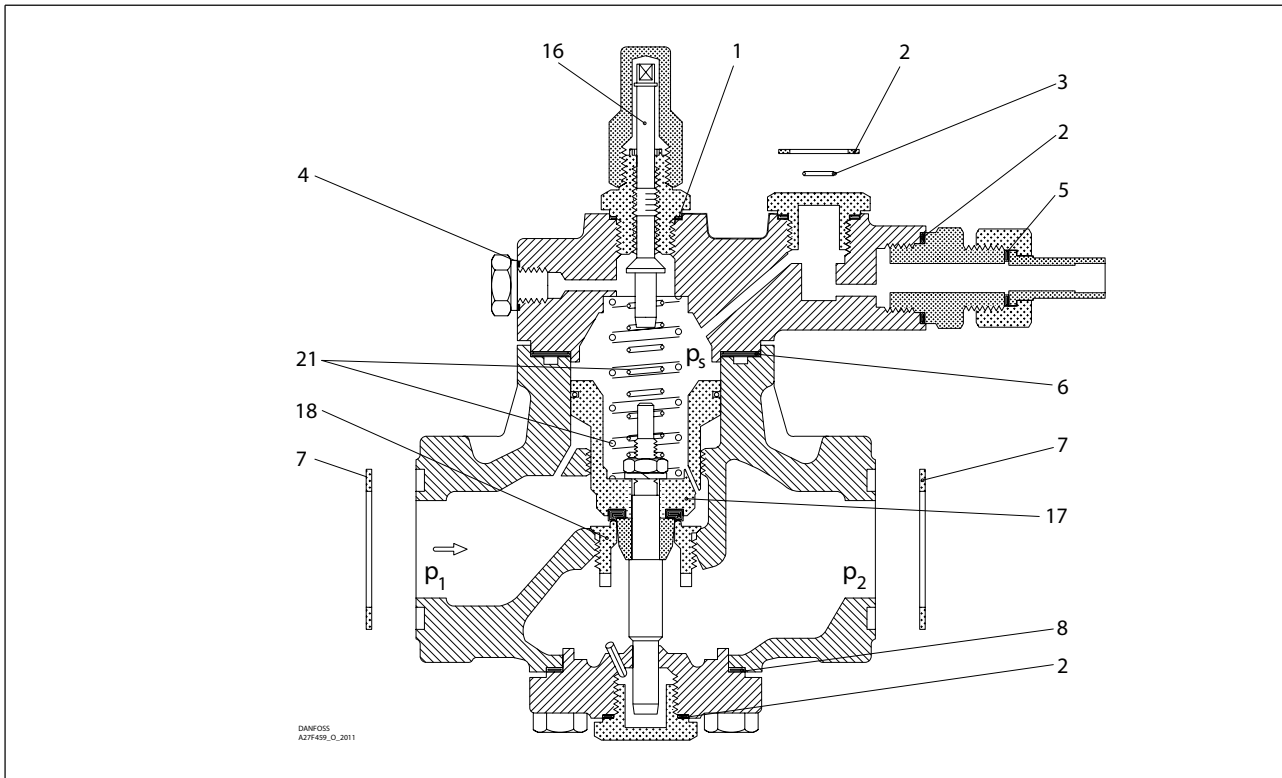


PMFL, size 125

Overhaul kit | Code number 027F0637



<p>1</p> <p> = Alu.</p> <p>$\varnothing 26 \text{ mm}$ $\varnothing 1.02''$</p> <p>Total no. = 1</p>	<p>2</p> <p> = Fibre</p> <p>$\varnothing 33 \text{ mm}$ $\varnothing 1.28''$</p> <p>Total no. = 4</p>	<p>3</p> <p> = Alu.</p> <p>$\varnothing 9 \text{ mm}$ $\varnothing 0.36''$</p> <p>Total no. = 3</p>	<p>4</p> <p> = Alu.</p> <p>$\varnothing 18 \text{ mm}$ $\varnothing 0.70''$</p> <p>Total no. = 1</p>	<p>5</p> <p> = Alu.</p> <p>$\varnothing 14 \text{ mm}$ $\varnothing 0.55''$</p> <p>Total no. = 1</p>	<p>6</p> <p> = Fibre</p> <p>$\varnothing 85 \text{ mm}$ $\varnothing 3.35''$</p> <p>Total no. = 1</p>
<p>7</p> <p> = Fibre</p> <p>$\varnothing 58 \text{ mm}$ $\varnothing 2.28''$</p> <p>Total no. = 2</p>	<p>8</p> <p> = Fibre</p> <p>$\varnothing 70 \text{ mm}$ $\varnothing 2.76''$</p> <p>Total no. = 1</p>	<p>9*</p> <p> = Alu.</p> <p>$\varnothing 32 \text{ mm}$ $\varnothing 1.26''$</p> <p>Total no. = 1</p>	<p>10*</p> <p> = Alu.</p> <p>$\varnothing 22 \text{ mm}$ $\varnothing 0.87''$</p> <p>Total no. = 1</p>	<p>16</p> <p></p>	<p>17</p> <p>$\varnothing 60 \text{ mm}$ $\varnothing 2.36''$</p> <p></p>
<p>18</p> <p>$\varnothing 26 \text{ mm}$ $\varnothing 1.02''$</p> <p></p>	<p>21 Standard</p> <p>$\varnothing 16 \text{ mm}$ $\varnothing 0.63''$</p> <p>$\varnothing 32 \text{ mm}$ $\varnothing 1.26''$</p> <p></p> <p>1 set</p>	<p>21 Weak</p> <p>$\varnothing 15 \text{ mm}$ $\varnothing 0.59''$</p> <p>$\varnothing 32 \text{ mm}$ $\varnothing 1.26''$</p> <p></p> <p>1 set</p>	<p>21 Strong</p> <p>$\varnothing 17 \text{ mm}$ $\varnothing 0.67''$</p> <p>$\varnothing 32 \text{ mm}$ $\varnothing 1.26''$</p> <p></p> <p>1 set</p>		

* The spare part is included in the package but is not used for PMFL size 125.