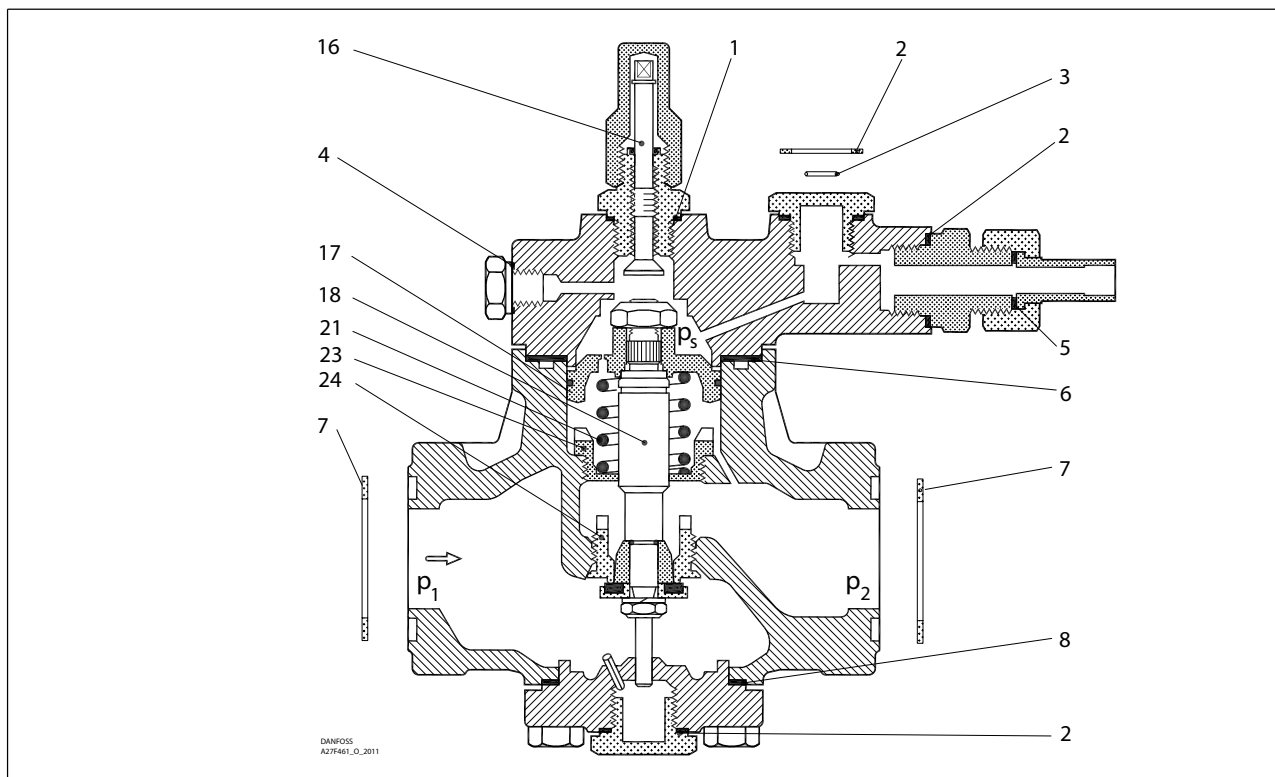


PMFH, size 80-6

Overhaul kit | Code number 027F0678



<p>1</p> <p> = Alu.</p> <p>$\varnothing 26 \text{ mm}$ $\varnothing 1.02''$</p> <p>Total no. = 1</p>	<p>2</p> <p> = Fibre</p> <p>$\varnothing 33 \text{ mm}$ $\varnothing 1.28''$</p> <p>Total no. = 4</p>	<p>3</p> <p> = Alu.</p> <p>$\varnothing 9 \text{ mm}$ $\varnothing 0.36''$</p> <p>Total no. = 3</p>	<p>4</p> <p> = Alu.</p> <p>$\varnothing 18 \text{ mm}$ $\varnothing 0.70''$</p> <p>Total no. = 1</p>	<p>5</p> <p> = Alu.</p> <p>$\varnothing 14 \text{ mm}$ $\varnothing 0.55''$</p> <p>Total no. = 1</p>	<p>6</p> <p> = Fibre</p> <p>$\varnothing 75 \text{ mm}$ $\varnothing 2.95''$</p> <p>Total no. = 1</p>
<p>7</p> <p> = Fibre</p> <p>$\varnothing 39 \text{ mm}$ $\varnothing 1.54''$</p> <p>Total no. = 2</p>	<p>8</p> <p> = Fibre</p> <p>$\varnothing 60 \text{ mm}$ $\varnothing 2.36''$</p> <p>Total no. = 1</p>	<p>9*</p> <p> = Alu.</p> <p>$\varnothing 32 \text{ mm}$ $\varnothing 1.26''$</p> <p>Total no. = 1</p>	<p>10*</p> <p> = Alu.</p> <p>$\varnothing 22 \text{ mm}$ $\varnothing 0.87''$</p> <p>Total no. = 1</p>	<p>16</p>	<p>17</p> <p>$\varnothing 50 \text{ mm}$ $\varnothing 1.97''$</p>
<p>18</p> <p>$\varnothing 18 \text{ mm}$ $\varnothing 0.71''$</p>	<p>21</p> <p>Standard</p> <p>$\varnothing 28 \text{ mm}$ $\varnothing 1.10''$</p> <p>Weak</p> <p>$\varnothing 27 \text{ mm}$ $\varnothing 1.06''$</p> <p>Total no. = 1</p>	<p>23</p> <p>M39</p>	<p>24</p> <p>$\varnothing 23 \text{ mm}$ $\varnothing 0.91''$</p>		

* The spare part is included in the package but is not used for PMFH size 80-6.