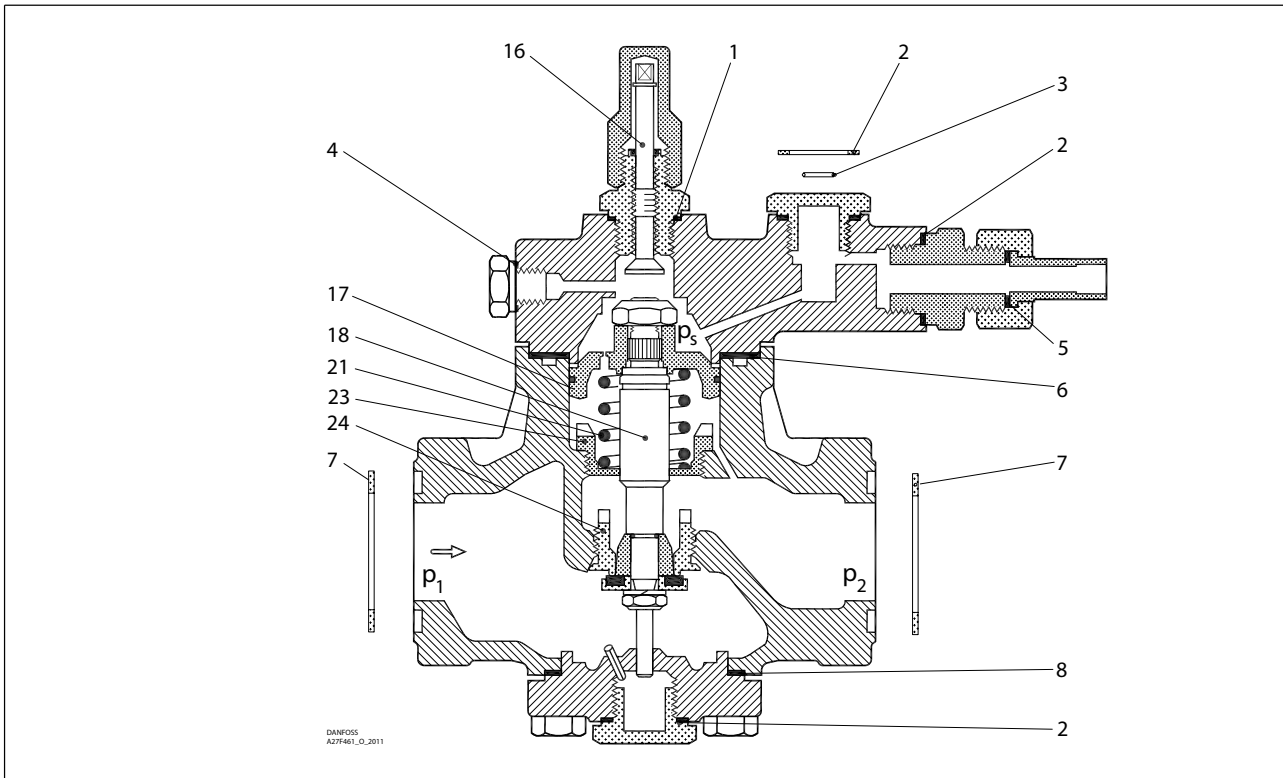


PMFH, size 300

Overhaul kit | Code number 027F0709



<p>1</p> <p> = Alu.</p> <p>$\varnothing 26 \text{ mm}$ $\varnothing 1.02''$</p> <p>Total no. = 1</p>	<p>2</p> <p> = Fibre</p> <p>$\varnothing 33 \text{ mm}$ $\varnothing 1.28''$</p> <p>Total no. = 4</p>	<p>3</p> <p></p> <p>$\varnothing 9 \text{ mm}$ $\varnothing 0.36''$</p> <p>Total no. = 3</p>	<p>4</p> <p> = Alu.</p> <p>$\varnothing 18 \text{ mm}$ $\varnothing 0.70''$</p> <p>Total no. = 1</p>	<p>5</p> <p> = Alu.</p> <p>$\varnothing 14 \text{ mm}$ $\varnothing 0.55''$</p> <p>Total no. = 1</p>	<p>6</p> <p> = Fibre</p> <p>$\varnothing 105 \text{ mm}$ $\varnothing 4.13''$</p> <p>Total no. = 1</p>
<p>7</p> <p> = Fibre</p> <p>$\varnothing 76 \text{ mm}$ $\varnothing 2.99''$</p> <p>Total no. = 2</p>	<p>8</p> <p> = Fibre</p> <p>$\varnothing 92 \text{ mm}$ $\varnothing 3.62''$</p> <p>Total no. = 1</p>	<p>9*</p> <p> = Alu.</p> <p>$\varnothing 32 \text{ mm}$ $\varnothing 1.26''$</p> <p>Total no. = 1</p>	<p>10*</p> <p> = Alu.</p> <p>$\varnothing 22 \text{ mm}$ $\varnothing 0.87''$</p> <p>Total no. = 1</p>	<p>16</p>	<p>17</p> <p>$\varnothing 80 \text{ mm}$ $\varnothing 3.15''$</p>
<p>18</p> <p>$\varnothing 32 \text{ mm}$ $\varnothing 1.26''$</p>	<p>21</p> <p>Standard</p> <p>$\varnothing 36 \text{ mm}$ $\varnothing 1.42''$</p> <p>Weak</p> <p>$\varnothing 33 \text{ mm}$ $\varnothing 1.30''$</p> <p>Total no. = 1</p> <p>Total no. = 1</p>	<p>23</p> <p>M64</p>	<p>24</p> <p>$\varnothing 37 \text{ mm}$ $\varnothing 1.46''$</p>		

* The spare part is included in the package but is not used for PMFH size 300.