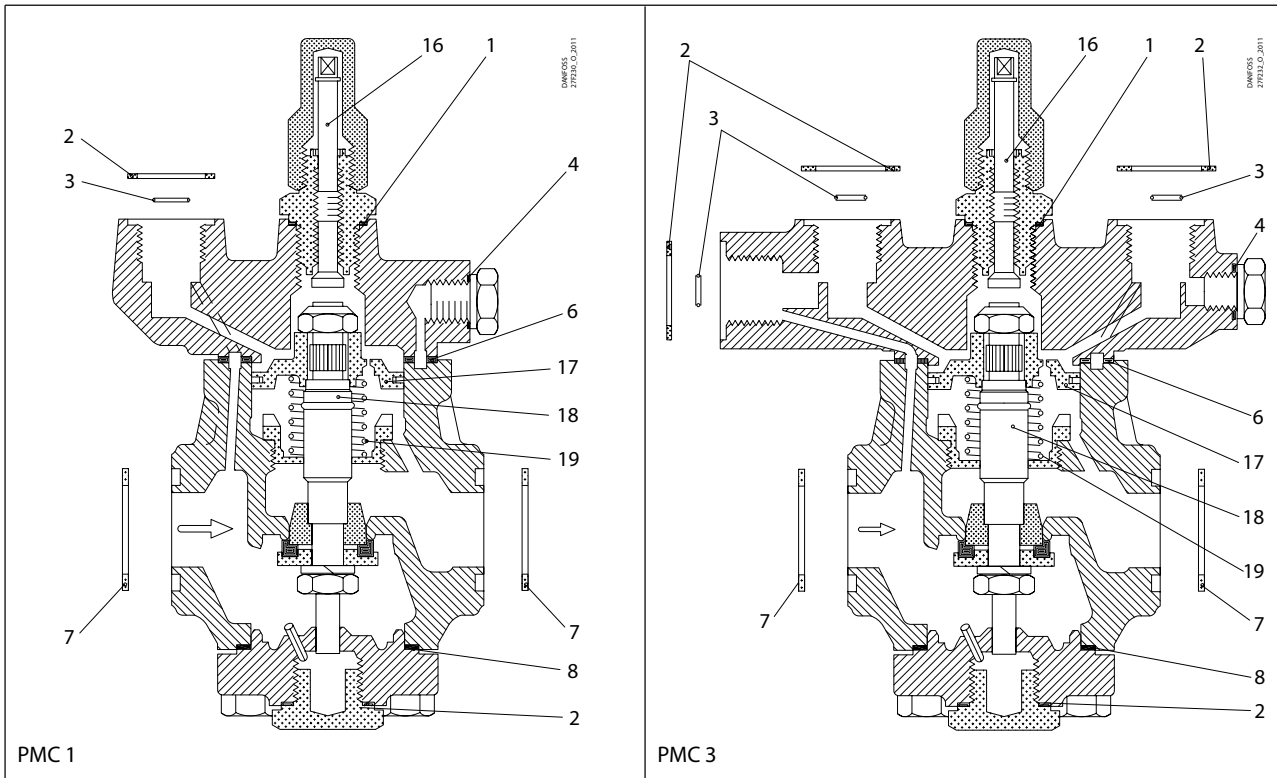


# PMC, size 8

Overhaul kit | Code number 027F0754



<p><b>1</b></p> <p> = Alu.</p> <p></p> <p>Total no. = 1</p>	<p><b>2</b></p> <p> = Fibre</p> <p></p> <p>Total no. = 4</p>	<p><b>3</b></p> <p></p> <p></p> <p>Total no. = 3</p>	<p><b>4</b></p> <p> = Alu.</p> <p></p> <p>Total no. = 1</p>	<p><b>5*</b></p> <p> = Alu.</p> <p></p> <p>Total no. = 1</p>	<p><b>6</b></p> <p> = Fibre</p> <p></p> <p>Total no. = 1</p>
<p><b>7</b></p> <p> = Fibre</p> <p></p> <p>Total no. = 2</p>	<p><b>8</b></p> <p> = Fibre</p> <p></p> <p>Total no. = 1</p>	<p><b>9*</b></p> <p> = Alu.</p> <p></p> <p>Total no. = 1</p>	<p><b>10*</b></p> <p> = Alu.</p> <p></p> <p>Total no. = 1</p>	<p><b>16</b></p> <p></p>	<p><b>17</b></p> <p></p>
<p><b>18</b></p> <p></p>	<p><b>19</b></p> <p></p> <p>Total no. = 1</p>				

\* The spare part is included in the package but is not used for PMC 1 or PMC 3..