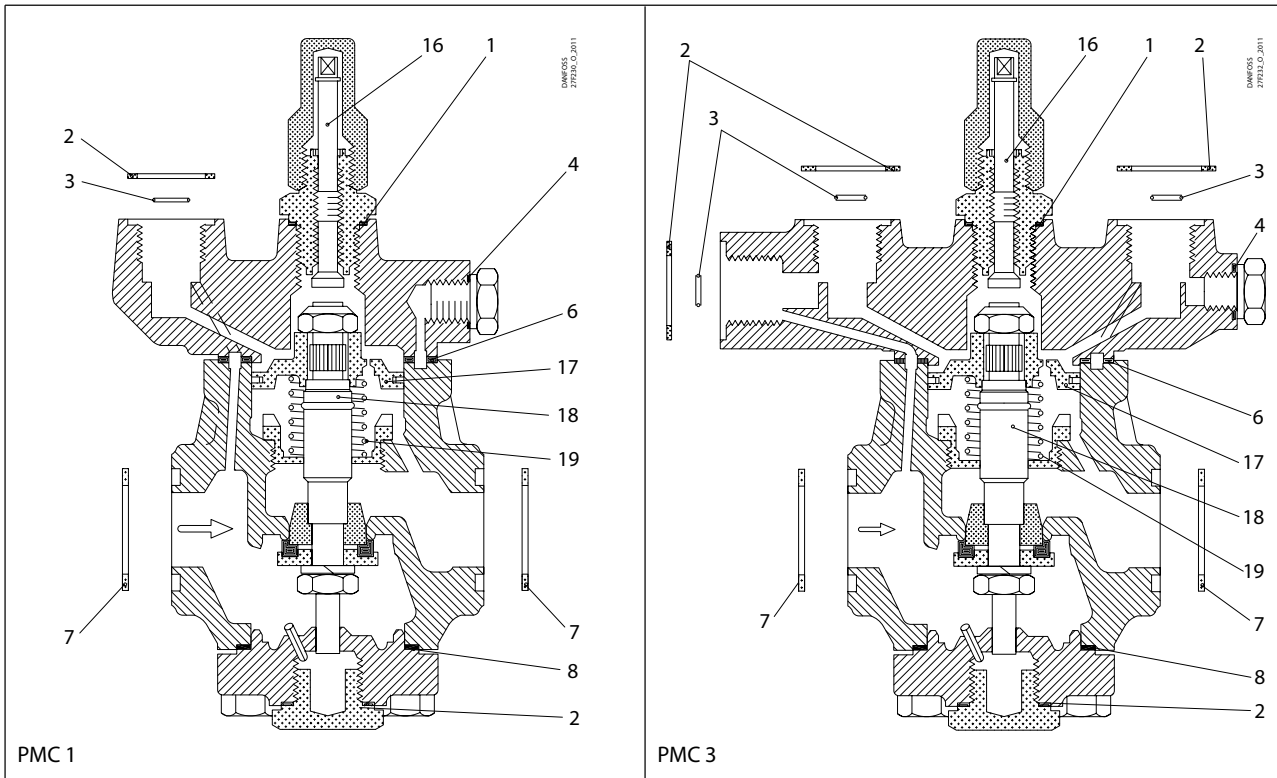


PMC, size 20

Overhaul kit | Code number 027F0756



| | | | | | |
|--|--|--|---|--|--|
| <p>1</p> <p> = Alu.</p> <p>Total no. = 1</p> | <p>2</p> <p> = Fibre</p> <p>Total no. = 4</p> | <p>3</p> <p> = Alu.</p> <p>Total no. = 3</p> | <p>4</p> <p> = Alu.</p> <p>Total no. = 1</p> | <p>5*</p> <p> = Alu.</p> <p>Total no. = 1</p> | <p>6</p> <p> = Fibre</p> <p>Total no. = 1</p> |
| <p>7</p> <p> = Fibre</p> <p>Total no. = 2</p> | <p>8</p> <p> = Fibre</p> <p>Total no. = 1</p> | <p>9*</p> <p> = Alu.</p> <p>Total no. = 1</p> | <p>10*</p> <p> = Alu.</p> <p>Total no. = 1</p> | <p>16</p> | <p>17</p> |
| <p>18</p> | <p>19</p> <p>Total no. = 1</p> | | | | |

* The spare part is included in the package but is not used for PMC 1 or PMC 3..