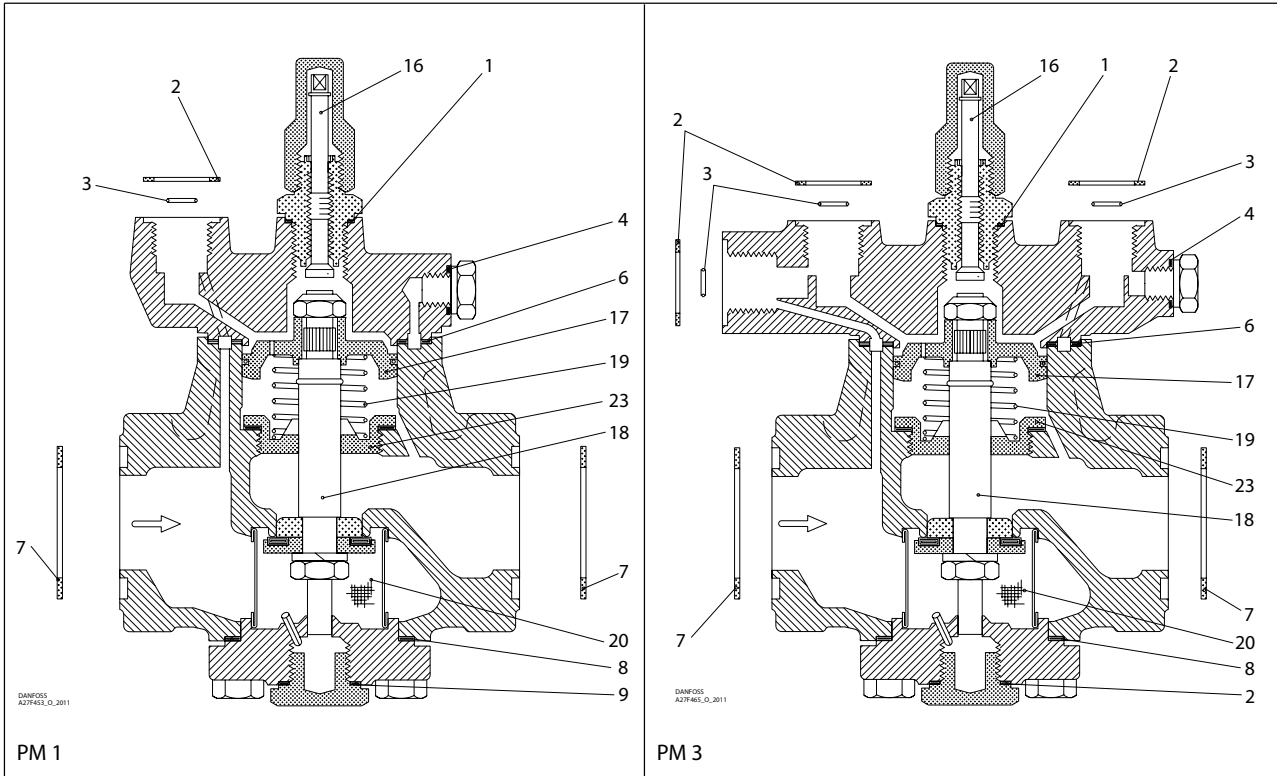


PM, size 40 - standard cone

Overhaul kit | Code number 027F3374



<p>1</p> <p> = Alu.</p> <p></p> <p>Total no. = 1</p>	<p>2</p> <p> = Fibre</p> <p></p> <p>Total no. = 4</p>	<p>3</p> <p></p> <p></p> <p>Total no. = 3</p>	<p>4</p> <p> = Alu.</p> <p></p> <p>Total no. = 1</p>	<p>5*</p> <p> = Alu.</p> <p></p> <p>Total no. = 1</p>	<p>6</p> <p> = Fibre</p> <p></p> <p>Total no. = 1</p>
<p>7</p> <p> = Fibre</p> <p></p> <p>Total no. = 2</p>	<p>8</p> <p> = Fibre</p> <p></p> <p>Total no. = 1</p>	<p>9</p> <p> = Alu.</p> <p></p> <p>Total no. = 1</p>	<p>10*</p> <p> = Alu.</p> <p></p> <p>Total no. = 1</p>	<p>16</p> <p></p>	<p>17</p> <p></p>
<p>18</p> <p></p> <p>Ø42 mm / Ø1.65"</p>	<p>19</p> <p></p> <p>Ø40 mm / Ø1.57"</p> <p>Total no. = 1</p>	<p>20</p> <p></p> <p>Ø62 mm / Ø2.44"</p> <p>Total no. = 1</p>	<p>23</p> <p></p> <p>M52</p>		

* The spare part is included in the package but is not used for PM 1 or PM 3 with standard cone.