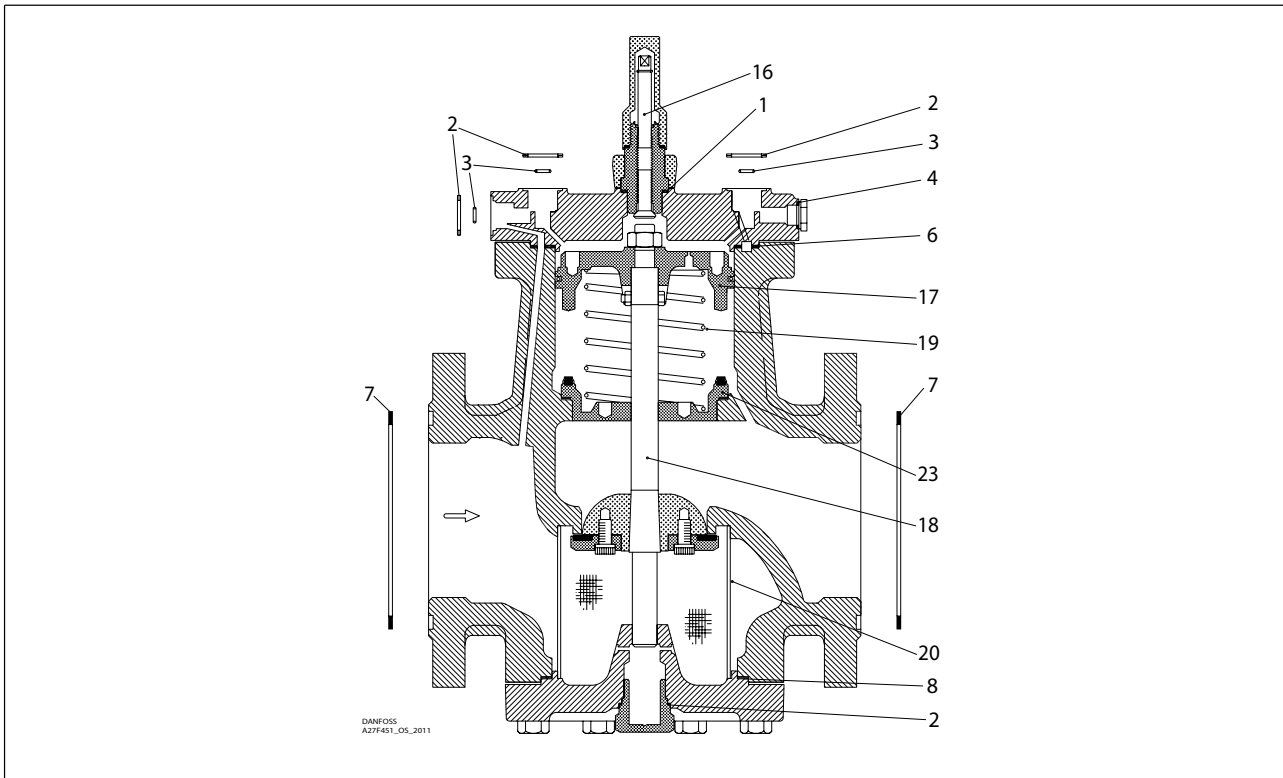


# PM, size 125 - standard cone

Overhaul kit | Code number 027F3379



<p><b>1</b></p> <p> = Alu.</p> <p><math>\varnothing 26 \text{ mm}</math> <math>\varnothing 1.02''</math></p> <p>Total no. = 1</p>	<p><b>2</b></p> <p> = Fibre</p> <p><math>\varnothing 33 \text{ mm}</math> <math>\varnothing 1.28''</math></p> <p>Total no. = 4</p>	<p><b>3</b></p> <p> = Alu.</p> <p><math>\varnothing 9 \text{ mm}</math> <math>\varnothing 0.36''</math></p> <p>Total no. = 3</p>	<p><b>4</b></p> <p> = Alu.</p> <p><math>\varnothing 18 \text{ mm}</math> <math>\varnothing 0.70''</math></p> <p>Total no. = 1</p>	<p><b>5*</b></p> <p> = Alu.</p> <p><math>\varnothing 14 \text{ mm}</math> <math>\varnothing 0.55''</math></p> <p>Total no. = 1</p>	<p><b>6</b></p> <p> = Fibre</p> <p><math>\varnothing 22.1 \text{ mm}</math> <math>\varnothing 0.87''</math></p> <p>Total no. = 1</p>
<p><b>7</b></p> <p> = Fibre</p> <p><math>\varnothing 20.3 \text{ mm}</math> <math>\varnothing 7.99''</math></p> <p>Total no. = 2</p>	<p><b>8</b></p> <p> = Fibre</p> <p><math>\varnothing 19.6 \text{ mm}</math> <math>\varnothing 7.72''</math></p> <p>Total no. = 1</p>	<p><b>9*</b></p> <p> = Alu.</p> <p><math>\varnothing 32 \text{ mm}</math> <math>\varnothing 1.26''</math></p> <p>Total no. = 1</p>	<p><b>10*</b></p> <p> = Alu.</p> <p><math>\varnothing 22 \text{ mm}</math> <math>\varnothing 0.87''</math></p> <p>Total no. = 1</p>	<p><b>16</b></p>	<p><b>17</b></p> <p><math>\varnothing 175 \text{ mm}</math> <math>\varnothing 6.89''</math></p>
<p><b>18</b></p> <p><math>386 \text{ mm}</math> <math>15.21''</math></p>	<p><b>19</b></p> <p><math>\varnothing 125 \text{ mm}</math> <math>\varnothing 4.92''</math></p> <p>Total no. = 1</p>	<p><b>20</b></p> <p><math>\varnothing 165 \text{ mm}</math> <math>\varnothing 6.5''</math></p> <p>Total no. = 1</p>	<p><b>23</b></p> <p><math>\varnothing 160 \text{ mm}</math> <math>\varnothing 6.3''</math></p>		

\* The spare part is included in the package but is not used for PM size 125 with standard cone.