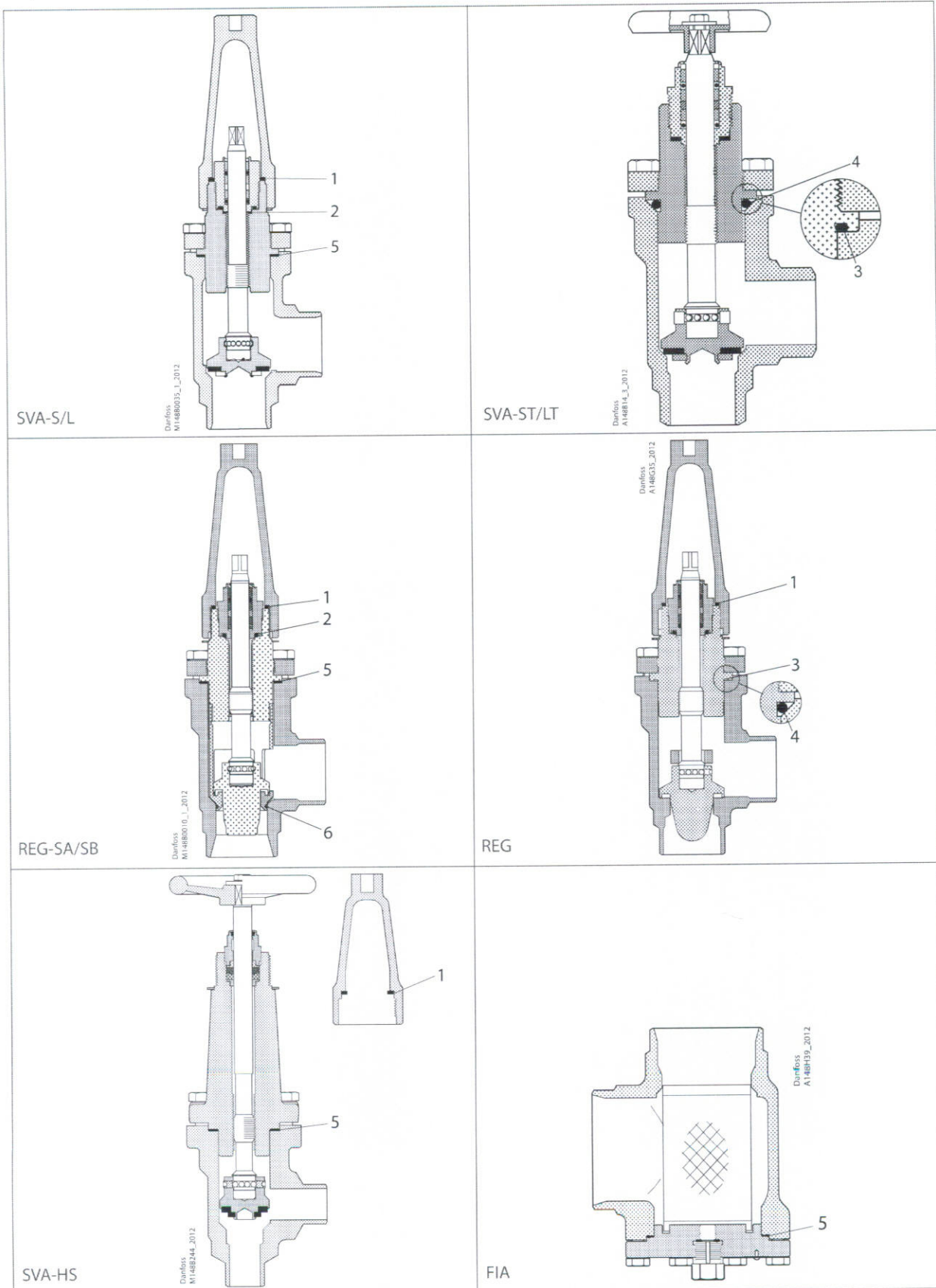


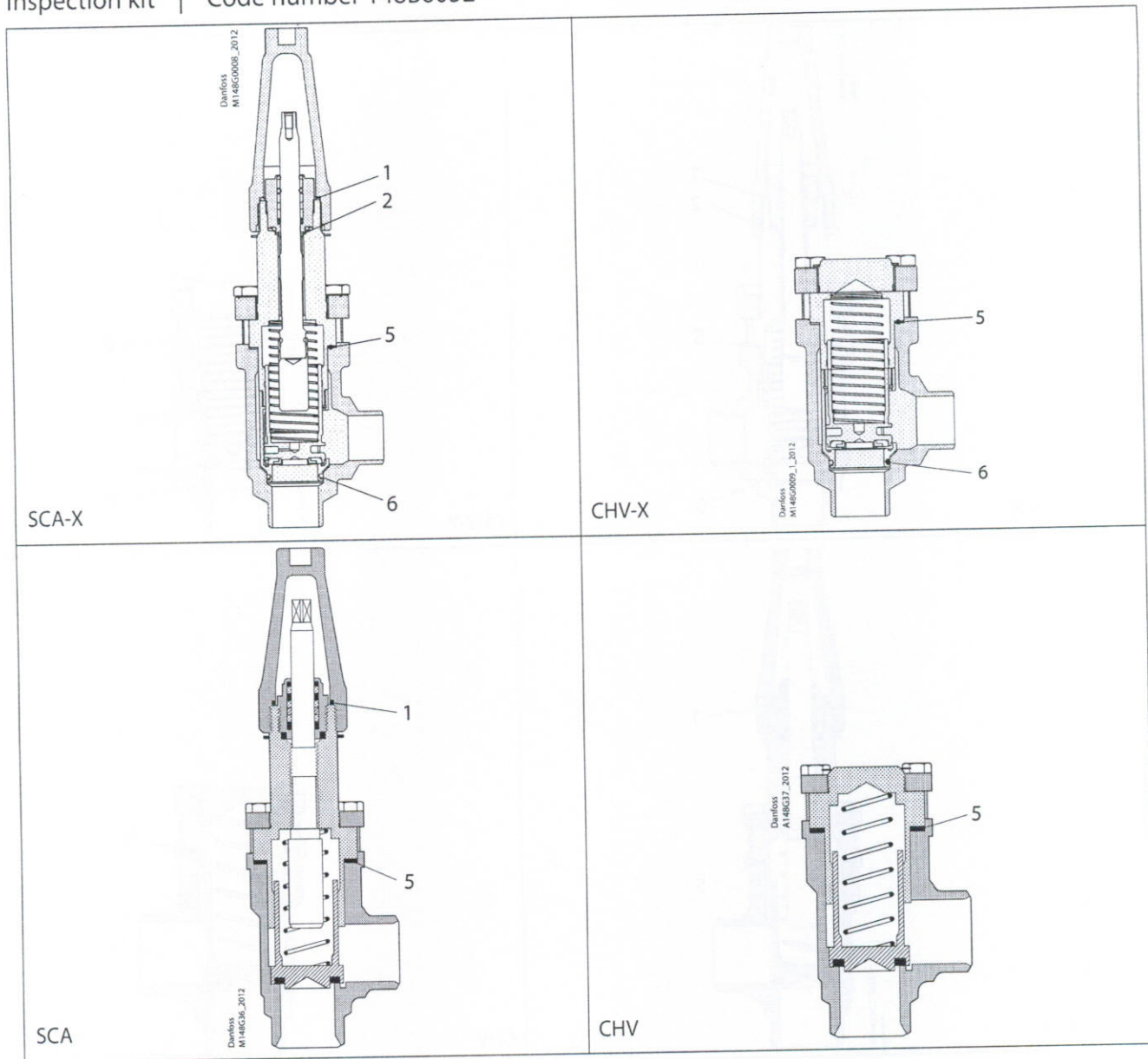
**SVA-S/L, SVA-ST/LT, REG-SA/SB, REG, SVA-HS, SCA/X, FIA, CHV/X sizes 25-40**

Inspection kit | Code number 148B6052



SVA-S/L, SVA-ST/LT, REG-SA/SB, REG, SVA-HS, SCA/X, FIA, CHV/X sizes 25-40

Inspection kit | Code number 148B6052



<p><b>1</b></p> <p> = Nylon</p> <p>Ø37 mm Ø1.46"</p> <p>Total no. = 1</p>	<p><b>2</b></p> <p> = Alu.</p> <p>Ø19 mm Ø0.73"</p> <p>Total no. = 1</p>	<p><b>3</b></p> <p>Ø31 mm Ø1.22"</p> <p>Total no. = 1</p>	<p><b>4</b></p> <p>Ø37 mm Ø1.46"</p> <p>Total no. = 1</p>	<p><b>5</b></p> <p> = Fibre</p> <p>Ø54 mm Ø2.13"</p> <p>Total no. = 1</p>
<p><b>6</b></p> <p>Ø30 mm Ø1.17"</p> <p>Total no. = 1</p>				