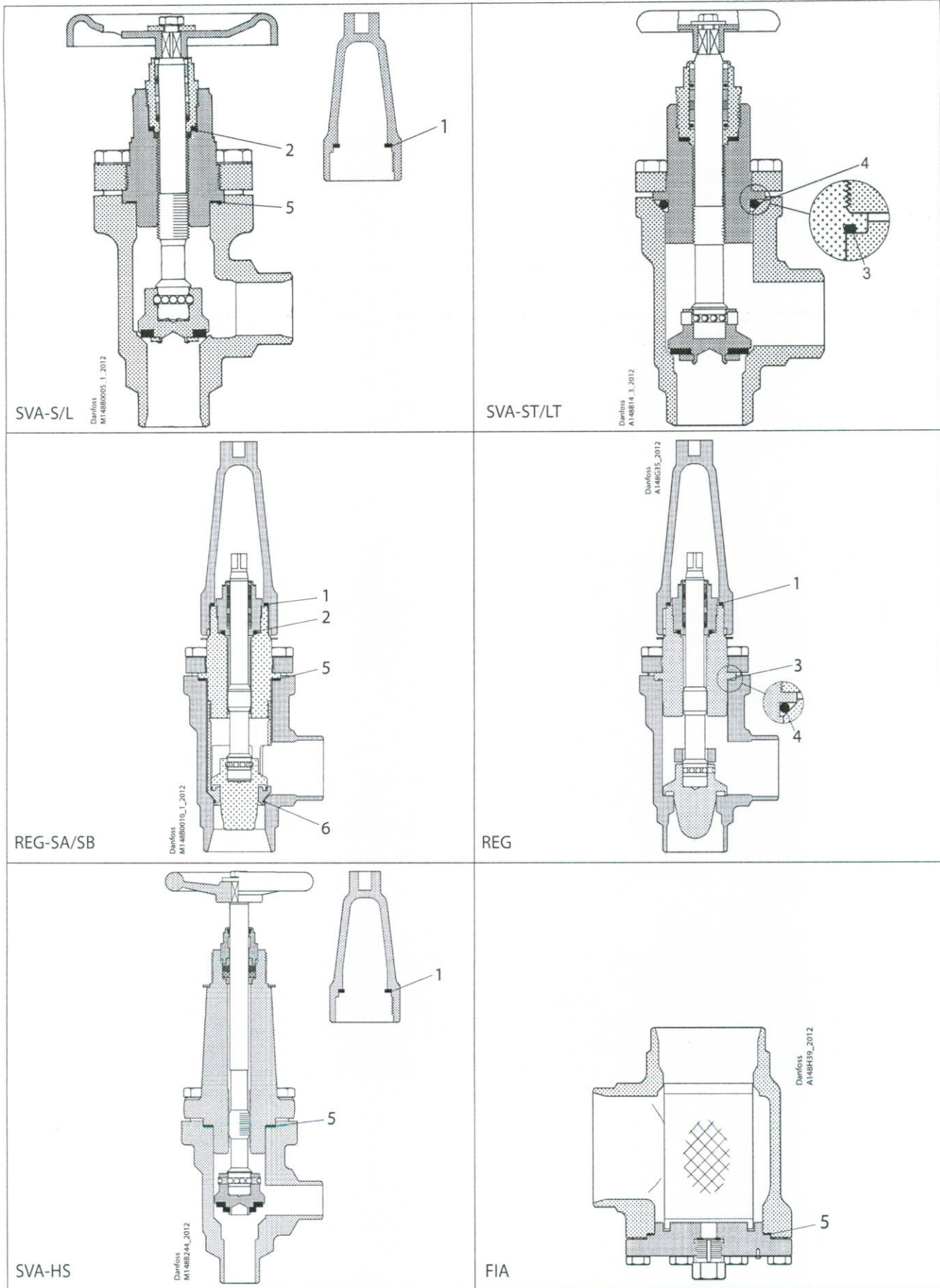


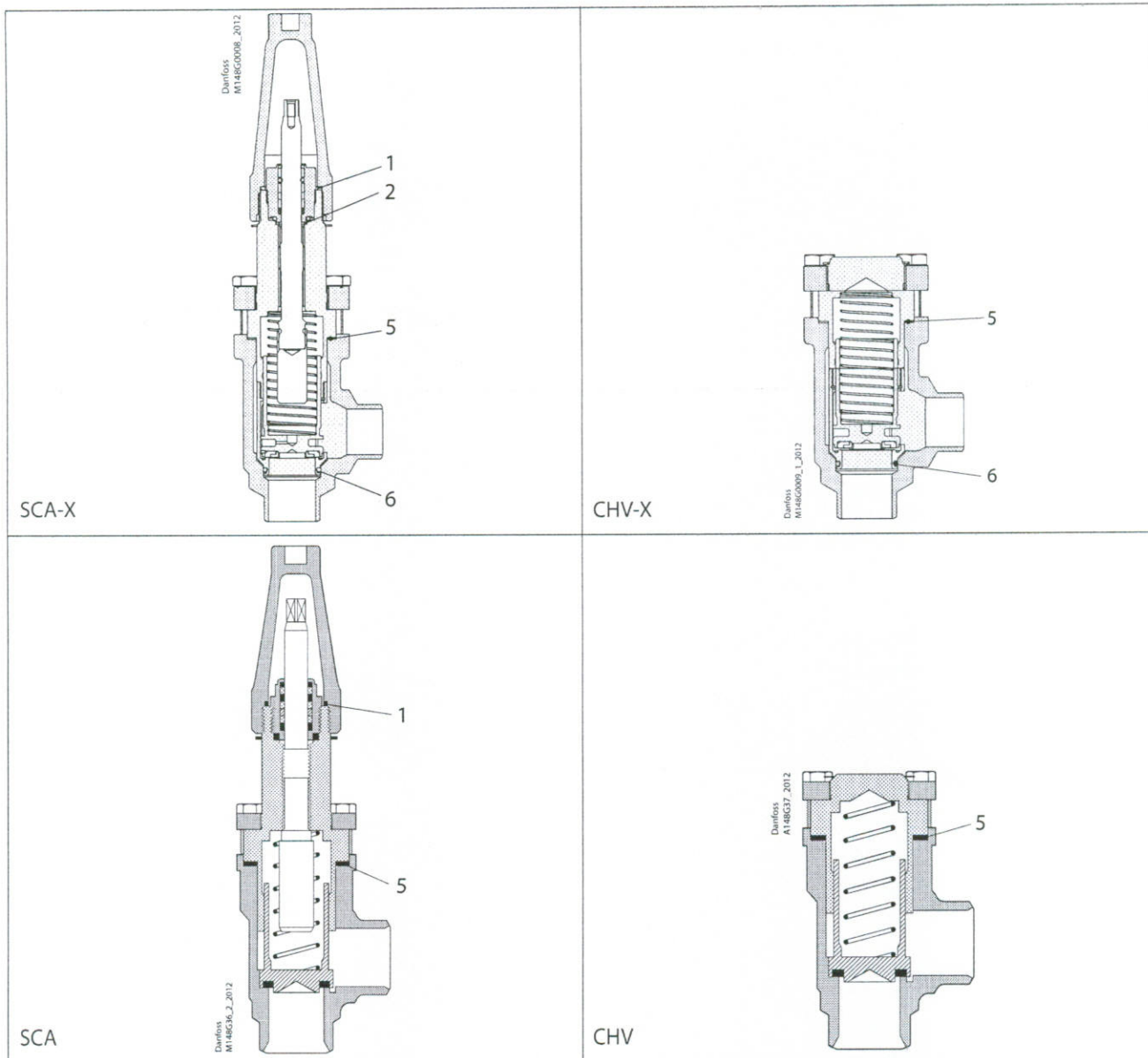
SVA-S/L, SVA-ST/LT, REG-SA/SB, REG, SVA-HS, SCA/X, FIA, CHV/X sizes 15 - 20

Inspection kit | Code number 148B6051



SVA-S/L, SVA-ST/LT, REG-SA/SB, REG, SVA-HS, SCA/X, FIA, CHV/X sizes 15 - 20

Inspection kit | Code number 148B6051



<p>1</p> <p> = Nylon</p> <p>Ø28 mm Ø1.1"</p> <p>Total no. = 1</p>	<p>2</p> <p> = Alu.</p> <p>Ø18 mm Ø0.69"</p> <p>Total no. = 1</p>	<p>3</p> <p>Ø27 mm Ø1.06"</p> <p>Total no. = 1</p>	<p>4</p> <p>Ø23 mm Ø0.91"</p> <p>Total no. = 1</p>	<p>5</p> <p> = Fibre</p> <p>Ø39 mm Ø1.55"</p> <p>Total no. = 1</p>
<p>6</p> <p>Ø17 mm Ø0.67"</p> <p>Total no. = 1</p>				