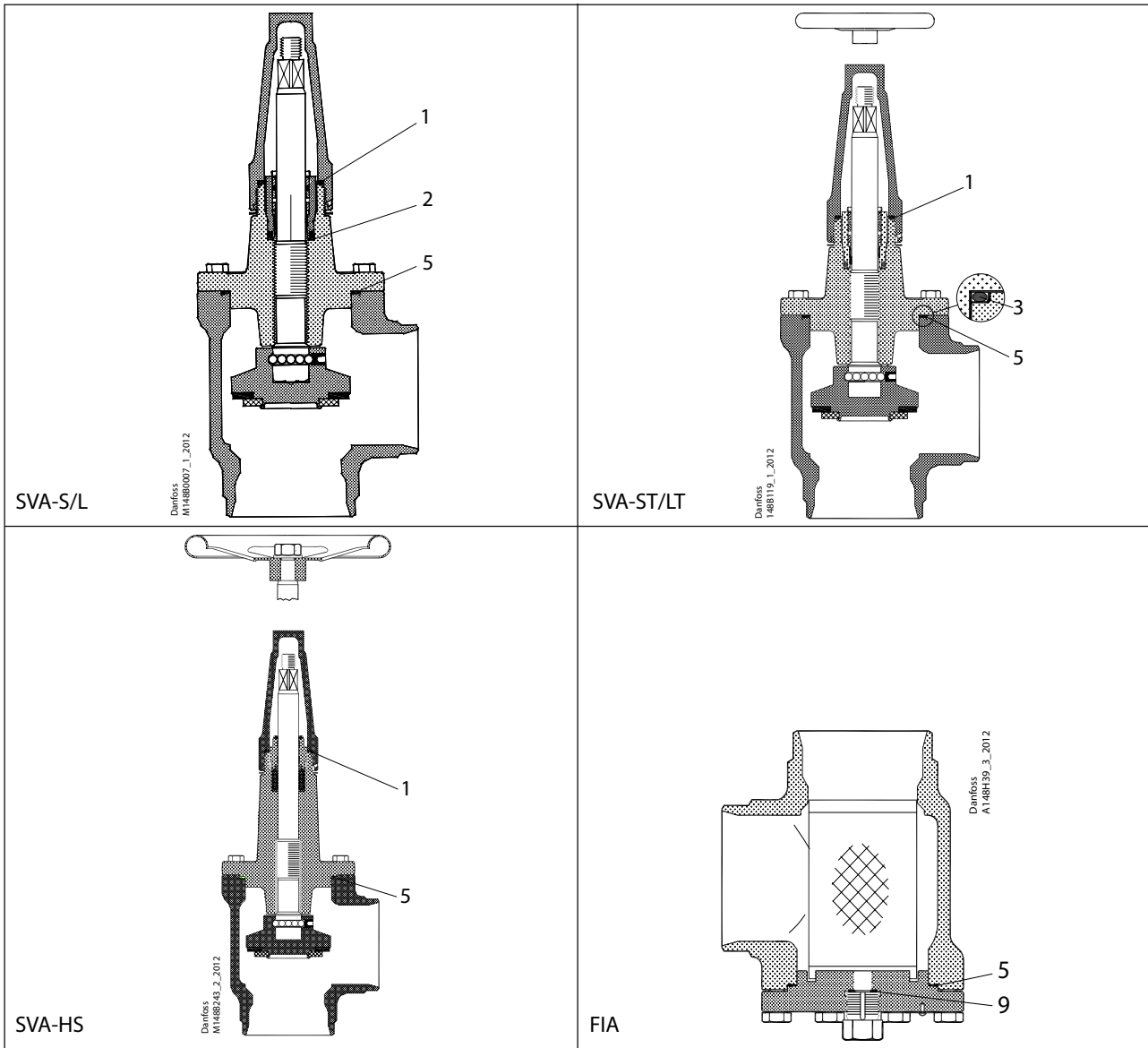


**SVA-S/L, SVA-ST/LT, SVA-HS, FIA size 150**

Inspection kit | Code number 148B6058



<p><b>1</b>  = Nylon</p> <p>Total no. = 1</p>	<p><b>2</b>  = Alu.</p> <p>Total no. = 1</p>	<p><b>3</b> </p> <p>Total no. = 1</p>	<p><b>5</b>  = Fibre</p> <p>Total no. = 1</p>	<p><b>9</b>  = Alu.</p> <p>Total no. = 1</p>
---	--	---------------------------------------	---	--