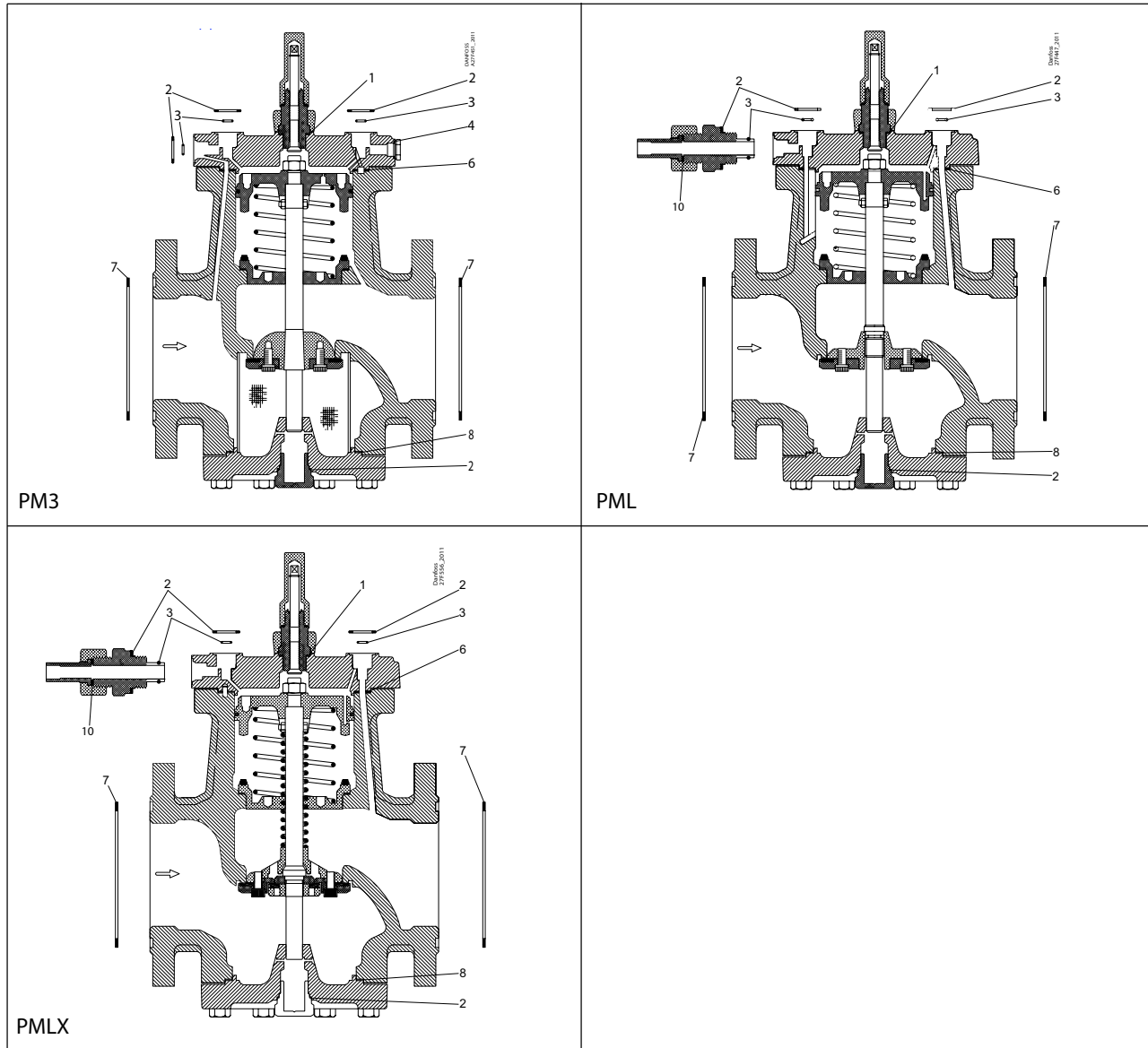


PM, PML, PMLX, size 80

Inspection kit | Code number 027F3091



<p>1</p> <p>▨ = Alu.</p> <p>Ø26 mm Ø1.02"</p> <p>Total no. = 1</p>	<p>2</p> <p>▨ = Fibre</p> <p>Ø33 mm Ø1.28"</p> <p>Total no. = 4</p>	<p>3</p> <p>Ø9 mm Ø0.36"</p> <p>Total no. = 3</p>	<p>4</p> <p>▨ = Alu.</p> <p>Ø18 mm Ø0.70"</p> <p>Total no. = 1</p>	<p>5*</p> <p>▨ = Alu.</p> <p>Ø14 mm Ø0.55"</p> <p>Total no. = 1</p>
<p>6</p> <p>▨ = Fibre</p> <p>Ø154 mm Ø6.06"</p> <p>Total no. = 1</p>	<p>7</p> <p>▨ = Fibre</p> <p>Ø149 mm Ø5.87"</p> <p>Total no. = 2</p>	<p>8</p> <p>▨ = Fibre</p> <p>Ø134 mm Ø5.28"</p> <p>Total no. = 1</p>	<p>9*</p> <p>▨ = Alu.</p> <p>Ø32 mm Ø1.26"</p> <p>Total no. = 1</p>	<p>10</p> <p>▨ = Alu.</p> <p>Ø22 mm Ø0.87"</p> <p>Total no. = 1</p>

* The spare part is included in the package but is not used for PM, PML, PMLX 100