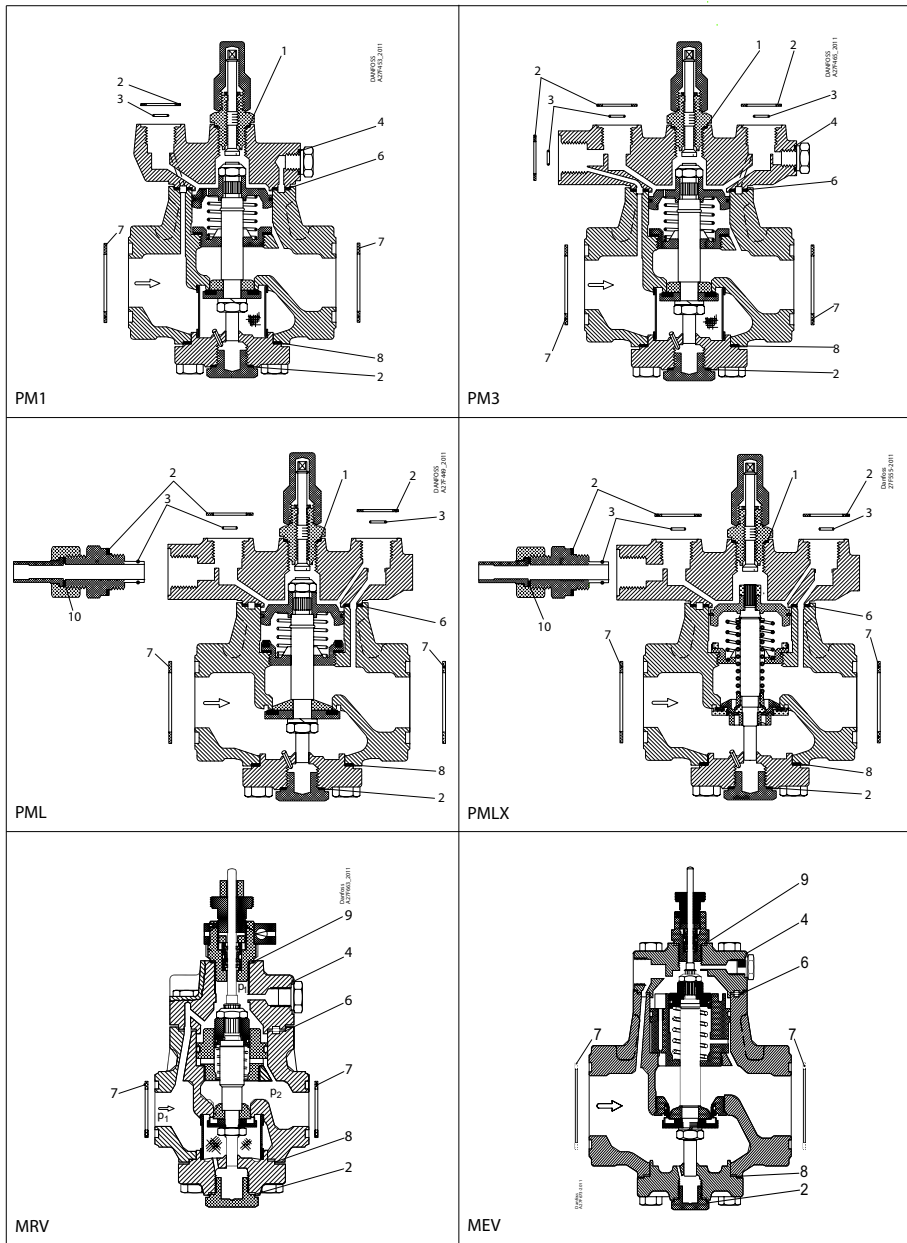


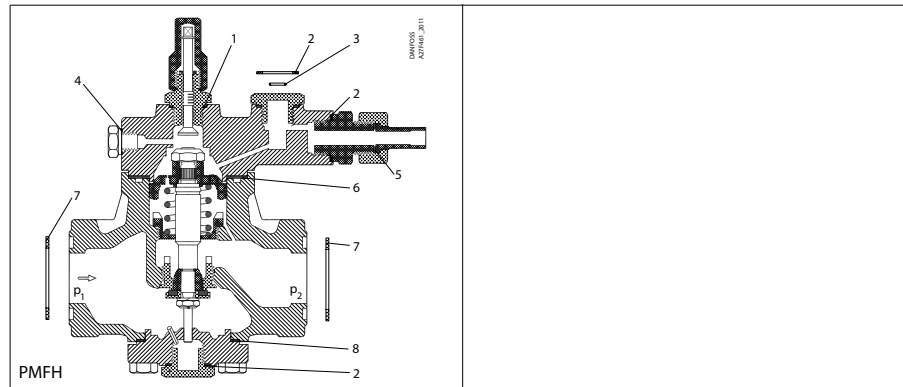
PM, PML, PMLX, MRV, size 65 | MEV, PMFH, size 500

Inspection kit | Code number 027F3079



PM, PML, PMLX, MRV, size 65 | MEV, PMFH, size 500

Inspection kit | Code number 027F3079



| | | | |
|--|---|---|---|
| <p>1</p> <p>☐ = Alu.</p> <p>Total no. = 1</p> | <p>2</p> <p>▨ = Fibre</p> <p>Total no. = 4</p> | <p>3</p> <p>Total no. = 3</p> | <p>4</p> <p>☐ = Alu.</p> <p>Total no. = 1</p> |
| <p>5</p> <p>☐ = Alu.</p> <p>Total no. = 1</p> | <p>6</p> <p>▨ = Fibre</p> <p>Total no. = 1</p> | <p>7</p> <p>▨ = Fibre</p> <p>Total no. = 2</p> | <p>8</p> <p>▨ = Fibre</p> <p>Total no. = 1</p> |
| <p>9</p> <p>▨ = Alu.</p> <p>Total no. = 1</p> | <p>10</p> <p>▨ = Alu.</p> <p>Total no. = 1</p> | | |