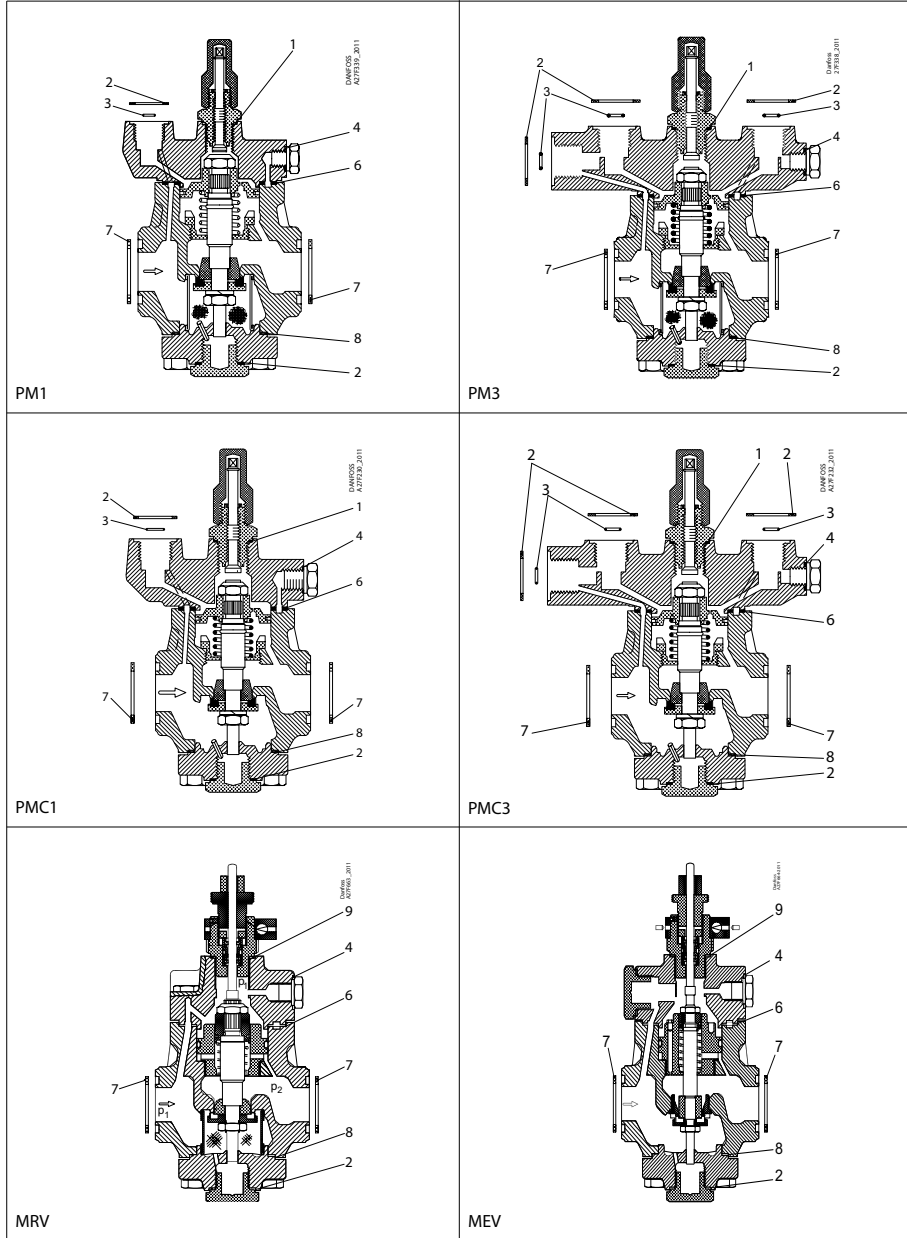
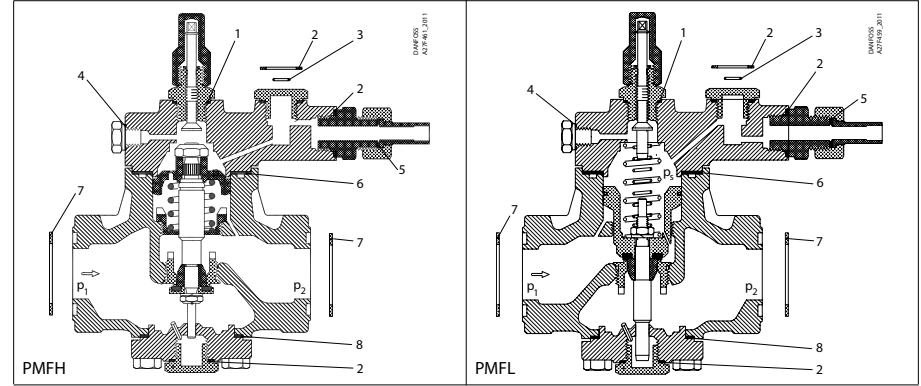


PM, PMC, MRV, sizes 5 to 25 | MEV, PMFH, PMFL, sizes 80-1 to 80-7
 Inspection kit | Code number 027F3075



PM, PMC, MRV, sizes 5 to 25 | MEV, PMFH, PMFL, sizes 80-1 to 80-7
 Inspection kit | Code number 027F3075



<p>1</p> <p>Alu.</p> <p>Ø26 mm Ø1.02"</p> <p>Total no. = 1</p>	<p>2</p> <p>Fibre</p> <p>Ø33 mm Ø1.28"</p> <p>Total no. = 4</p>	<p>3</p> <p>Alu.</p> <p>Ø9 mm Ø0.36"</p> <p>Total no. = 3</p>	<p>4</p> <p>Alu.</p> <p>Ø18 mm Ø0.70"</p> <p>Total no. = 1</p>
<p>5</p> <p>Alu.</p> <p>Ø14 mm Ø0.55"</p> <p>Total no. = 1</p>	<p>6</p> <p>Fibre</p> <p>Ø75 mm Ø2.95"</p> <p>Total no. = 1</p>	<p>7</p> <p>Fibre</p> <p>Ø39 mm Ø1.54"</p> <p>Total no. = 2</p>	<p>8</p> <p>Fibre</p> <p>Ø60 mm Ø2.36"</p> <p>Total no. = 1</p>
<p>9</p> <p>Alu.</p> <p>Ø32 mm Ø1.26"</p> <p>Total no. = 1</p>	<p>10*</p> <p>Alu.</p> <p>Ø22 mm Ø0.87"</p> <p>Total no. = 1</p>		

* The spare part is included in the package but is not used for PM, PMC, MRV, sizes 5 to 25 or MEV, PMFH, PMFL, sizes 80-1 to 80-7