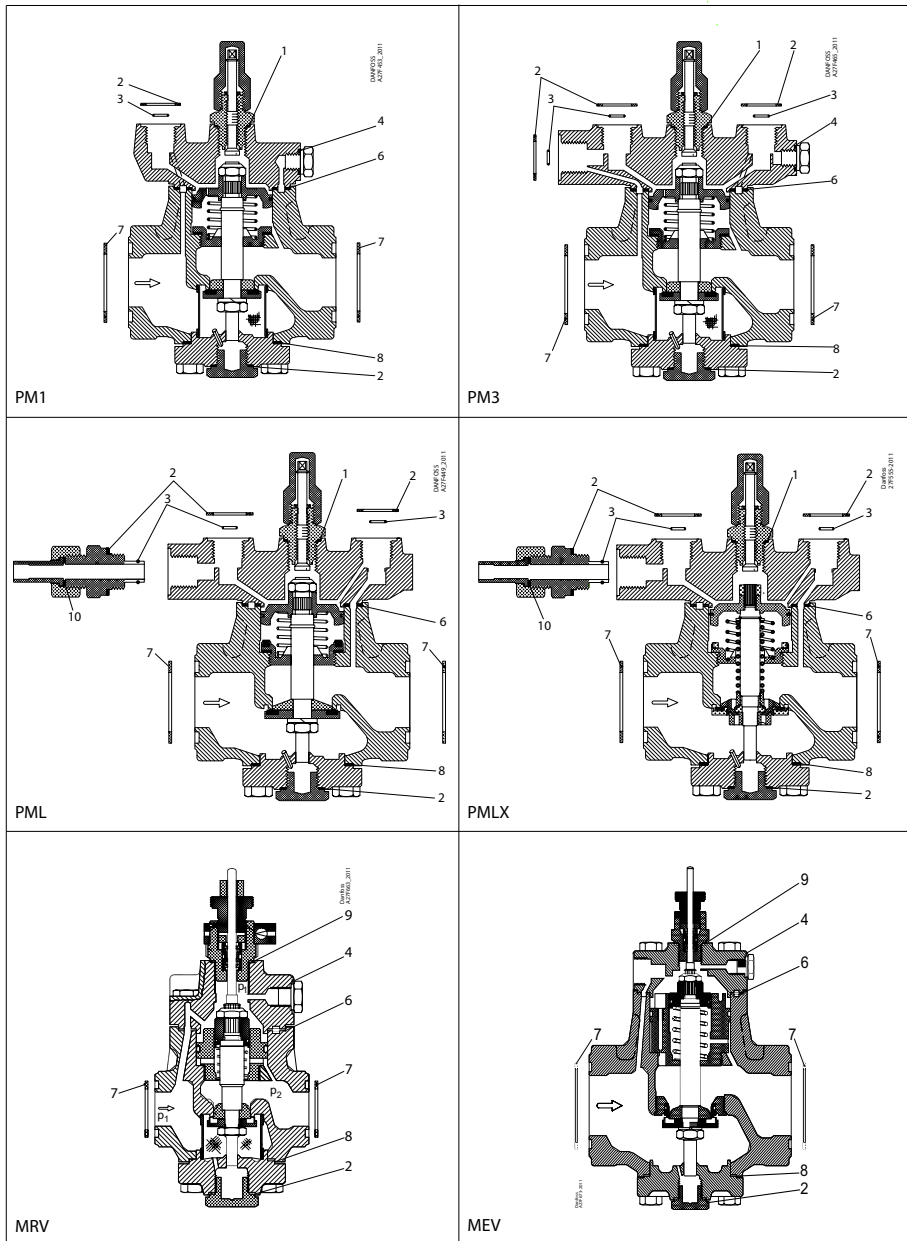


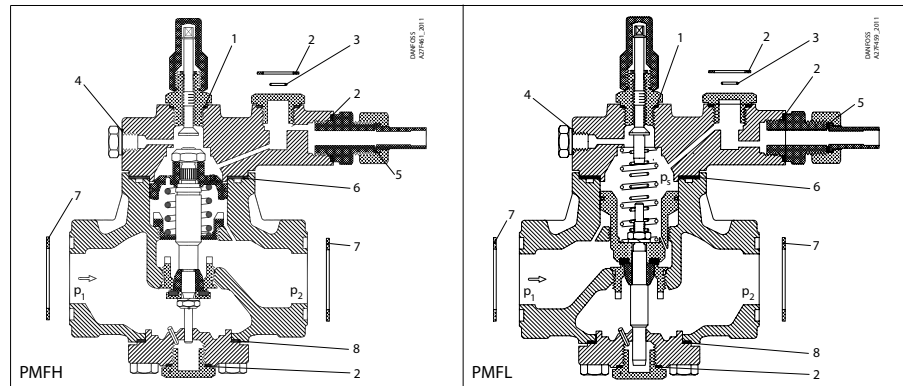
PM, PML, PMLX, MRV, size 40 | MEV, PMFH, PMFL, size 200

Inspection kit | Code number 027F3077



PM, PML, PMLX, MRV, size 40 | MEV, PMFH, PMFL, size 200

Inspection kit | Code number 027F3077



<p>1</p> <p>☐ = Alu.</p> <p>Ø26 mm Ø1.02°</p> <p>Total no. = 1</p>	<p>2</p> <p>▨ = Fibre</p> <p>Ø33 mm Ø1.28°</p> <p>Total no. = 4</p>	<p>3</p> <p>Ø9 mm Ø0.36°</p> <p>Total no. = 3</p>	<p>4</p> <p>☐ = Alu.</p> <p>Ø18 mm Ø0.70°</p> <p>Total no. = 1</p>
<p>5</p> <p>☐ = Alu.</p> <p>Ø14 mm Ø0.55°</p> <p>Total no. = 1</p>	<p>6</p> <p>▨ = Fibre</p> <p>Ø93 mm Ø3.66°</p> <p>Total no. = 1</p>	<p>7</p> <p>▨ = Fibre</p> <p>Ø65 mm Ø2.56°</p> <p>Total no. = 2</p>	<p>8</p> <p>▨ = Fibre</p> <p>Ø78 mm Ø3.07°</p> <p>Total no. = 1</p>
<p>9</p> <p>▨ = Alu.</p> <p>Ø32 mm Ø1.26°</p> <p>Total no. = 1</p>	<p>10</p> <p>▨ = Alu.</p> <p>Ø22 mm Ø0.87°</p> <p>Total no. = 1</p>		