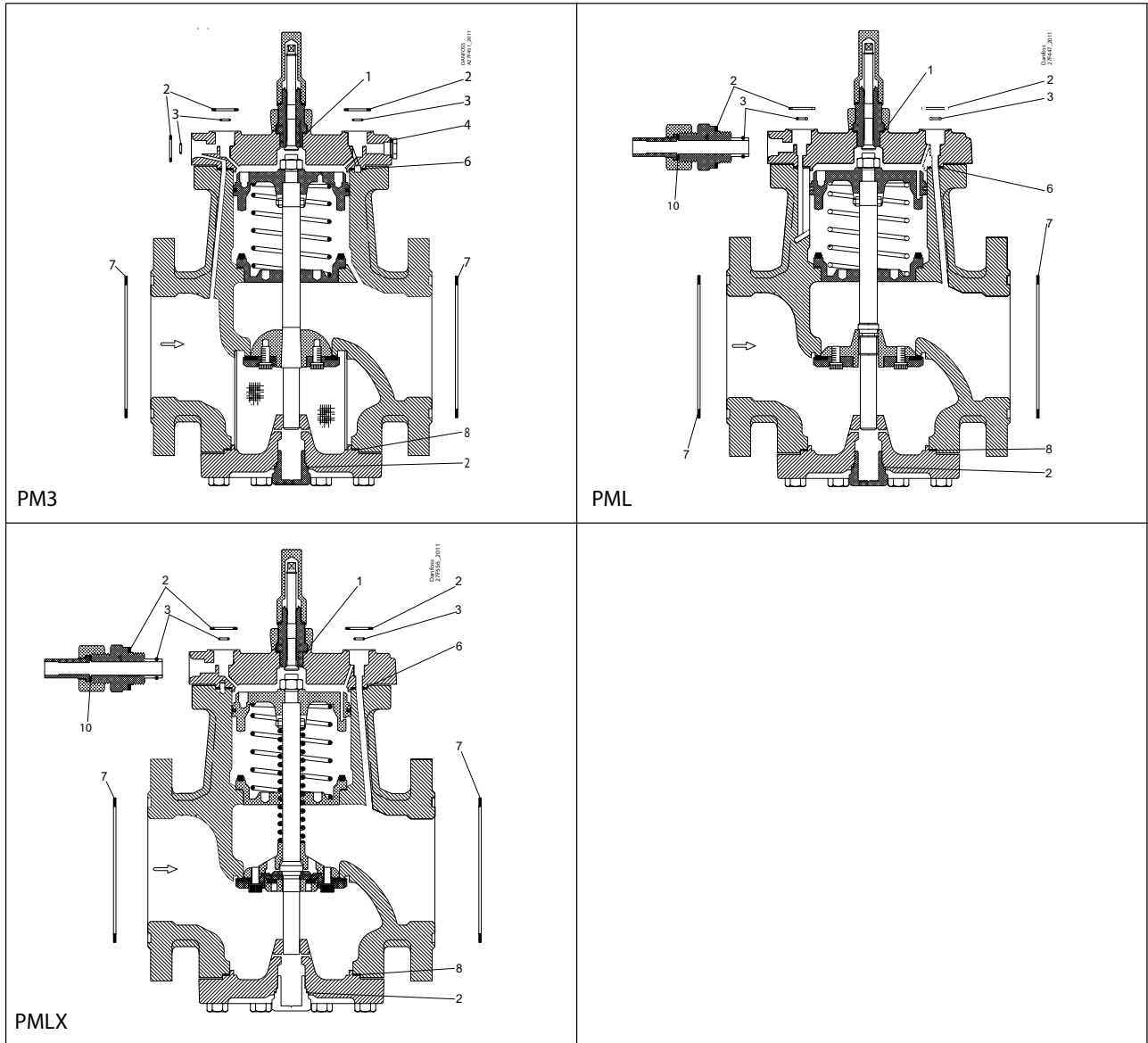


PM, PML, PMLX, size 100

Inspection kit | Code number 027F3092



<p>1</p> <p>▨ = Alu.</p> <p>∅26 mm ∅1.02"</p> <p>Total no. = 1</p>	<p>2</p> <p>▨ = Fibre</p> <p>∅33 mm ∅1.28"</p> <p>Total no. = 4</p>	<p>3</p> <p>∅9 mm ∅0.36"</p> <p>Total no. = 3</p>	<p>4</p> <p>▨ = Alu.</p> <p>∅18 mm ∅0.70"</p> <p>Total no. = 1</p>	<p>5*</p> <p>▨ = Alu.</p> <p>∅14 mm ∅0.55"</p> <p>Total no. = 1</p>
<p>6</p> <p>▨ = Fibre</p> <p>∅185 mm ∅7.28"</p> <p>Total no. = 1</p>	<p>7</p> <p>▨ = Fibre</p> <p>∅175 mm ∅6.89"</p> <p>Total no. = 2</p>	<p>8</p> <p>▨ = Fibre</p> <p>∅168 mm ∅6.61"</p> <p>Total no. = 1</p>	<p>9*</p> <p>▨ = Alu.</p> <p>∅32 mm ∅1.26"</p> <p>Total no. = 1</p>	<p>10</p> <p>▨ = Alu.</p> <p>∅22 mm ∅0.87"</p> <p>Total no. = 1</p>

* The spare part is included in the package but is not used for PM, PML, PMLX 100