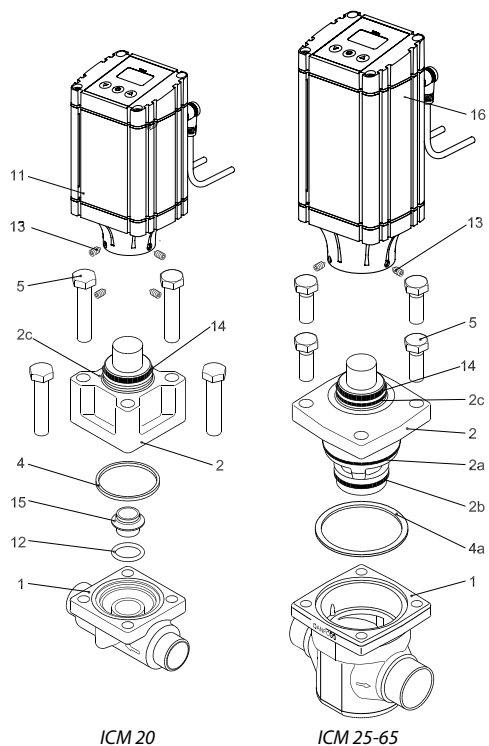


Spare parts and accessories for ICM 20-65



Pos. 1 - valve body can be ordered separately (see ICM technical leaflet)

Fig. 1

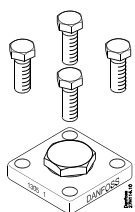


Fig. 2 - Top cover blind ICM 20

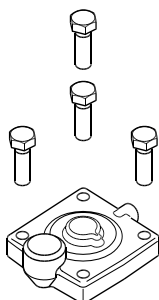


Fig. 3 - Top cover blind ICM 25-65



Fig. 4 - Multi-function tool

Description		Qty	Code no.
Top cover/Function module, fig. 1 (including gasket and O-rings)			
Pos. 2	ICM 20-A	1	027H1180
Pos. 2	ICM 20-B	1	027H1181
Pos. 2	ICM 20-C	1	027H1182
Pos. 2	ICM 25-A	1	027H2180
Pos. 2	ICM 25-B	1	027H2181
Pos. 2	ICM 32-A	1	027H3180
Pos. 2	ICM 32-B	1	027H3181
Pos. 2	ICM 40-A	1	027H4180
Pos. 2	ICM 40-B	1	027H4181
Pos. 2	ICM 50-A	1	027H5180
Pos. 2	ICM 50-B	1	027H5181
Pos. 2	ICM 65-B	1	027H6181
Actuator, fig. 1			
Pos. 11, 16 for ICM 20, 25 and 32	ICAD 600 with cables	1	027H9065
	ICAD 600 without cables	1	027H9100
Pos. 16 for ICM 40, 50 and 65	ICAD 900 with cables	1	027H9066
	ICAD 900 without cables	1	027H9101
Pos. 16 for ICM 40, 50 and 65	ICAD 1200 with cables	1	027H9067
	ICAD 1200 without cables	1	027H9102
Disassembly kit, fig. 1			
Pos. 2c, 13, 14	ICAD/ICM 20-32 (incl. grease)	1	027H1207
Pos. 2c, 13, 14	ICAD/ICM 40-65 (incl. grease)	1	027H1208
Pos. 4, 12, 15	ICM 20-A / ICM 20-A33 (Metal with plastic seat)	1	027H1190
	ICM 20-B / ICM 20-B66 / ICM 20-C (Plastic seat)		
Pos. 2a, 2b, 4a	ICM 25	1	027H2220
Pos. 2a, 2b, 4a	ICM 32	1	027H3220
Pos. 2a, 2b, 4a	ICM 40	1	027H4220
Pos. 2a, 2b, 4a	ICM 50	1	027H5220
Pos. 2a, 2b, 4a	ICM 65	1	027H6220
Top cover blind, fig. 2 and 3			
fig. 2	ICM 20	1	027H1174
fig. 2	ICM 25	1	027H2174
fig. 2	ICM 32	1	027H3174
fig. 3	ICM 40	1	027H4174
fig. 3	ICM 50	1	027H5174
fig. 3	ICM 65	1	027H6174
Multi-function tool, fig. 4			
	Multi-function tool for ICM 20, 25, 32	1	027H0180
	Multi-function tool for ICM 40, 50, 65	1	027H0181