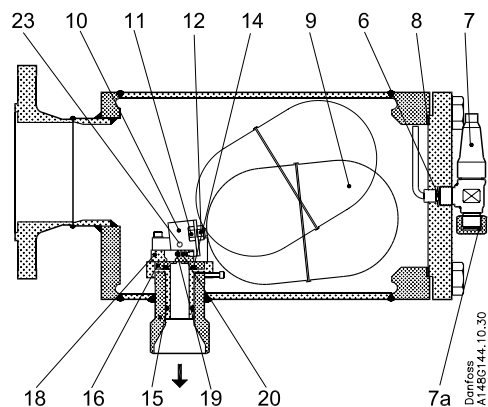


Before 2003



After 2003

Description	Size 100-150 (4-6 in.)		
	Type of nozzle (nominal capacity)		
	040	050	060
	Code no.	Code no.	Code no.
Repair kit , complete set of gaskets	2453+094	2453+094	2453+094
Pos. 6 Gasket			
7a Gasket			
8 O-ring for housing/end cover			
14 O-ring			
15 O-ring			
Spare part kit , nozzle and slide complete	2453+095	2453+096	2453+097
Pos. 14 O-ring			
16 Nozzle			
18 Slide			
19 Pin			
20 Lock screw			
Complete renewal kit*	2453+100	2453+101	2453+102
Pos. 6 Gasket			
7a Gasket			
8 O-ring for housing/end cover			
9 Float ball (R717)			
10 Joint			
11 Nut			
12 Nut			
14 O-ring			
15 O-ring			
16 Nozzle			
18 Slide			
19 Pin			
20 Lock screw			
23 Pin			
Orifice assembly	See spare part for stop valves SNV 8		
Pos. 7 Stop valve SNV 8			

* The float mechanism is assembled and adjusted from factory