

Fig. 1

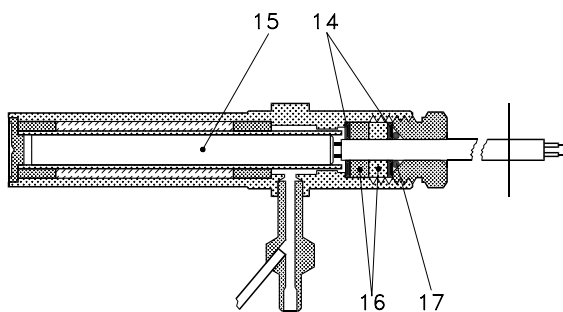


Fig. 2

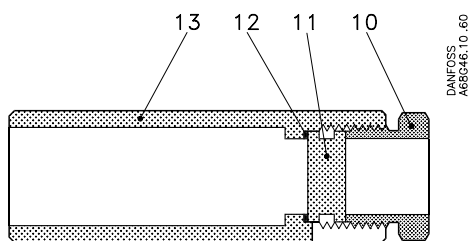


Fig. 3

Description	Qty	Code no.	Code no.	Code no.
<b>Orifice assembly, fig. 1</b>				1 TR <b>068G2050</b>
Pos. 3 Throttling orifice	1			
4 O-ring	1			
5 Gasket	1			
9 Orifice assembly	1			
<b>Orifice assembly, fig. 1</b>		2 TR <b>068G2051</b>	3 TR <b>068G2052</b>	5 TR <b>068G2053</b>
Pos. 4 O-ring	1			
5 Gasket	1			
9 Orifice assembly	1			
<b>Orifice assembly, fig. 1</b>		8 TR <b>068G2054</b>	12 TR <b>068G2055</b>	20 TR <b>068G2056</b>
Pos. 4 O-ring	1			
5 Gasket	1			
9 Orifice assembly	1			
<b>Orifice assembly, fig. 1</b>		33 TR <b>068G2057</b>	55 TR <b>068G2058</b>	85 TR <b>068G2059</b>
Pos. 4 O-ring	1			
5 Gasket	1			
9 Orifice assembly	1			
<b>Seal kit, TEVA 20, fig. 1</b>			<b>068G0051</b>	
Pos. 1 Gasket	1			
2 Gasket	1			
4 O-ring	1			
5 Gasket	1			
23 Flange gasket	2			
<b>Seal kit, TEVA 85, fig. 1</b>			<b>068G0053</b>	
Pos. 1 Gasket	1			
2 Gasket	1			
4 O-ring	1			
5 Gasket	1			
23 Gasket	2			
<b>Electric heating element, 24 V, 10 W a.c. or d.c., fig. 2</b>		<b>068G0037</b>		
Pos. 14 Washer	2			
15 Heating element	1			
16 Gasket	2			
17 O-ring	1			

<b>Accessories</b>				
<b>Weld bush, fig. 3</b>		<b>068G0026</b>		
Pos. 10 Nut	1			
11 Plug	1			
12 Gasket	1			
13 Bulb pocket	1			